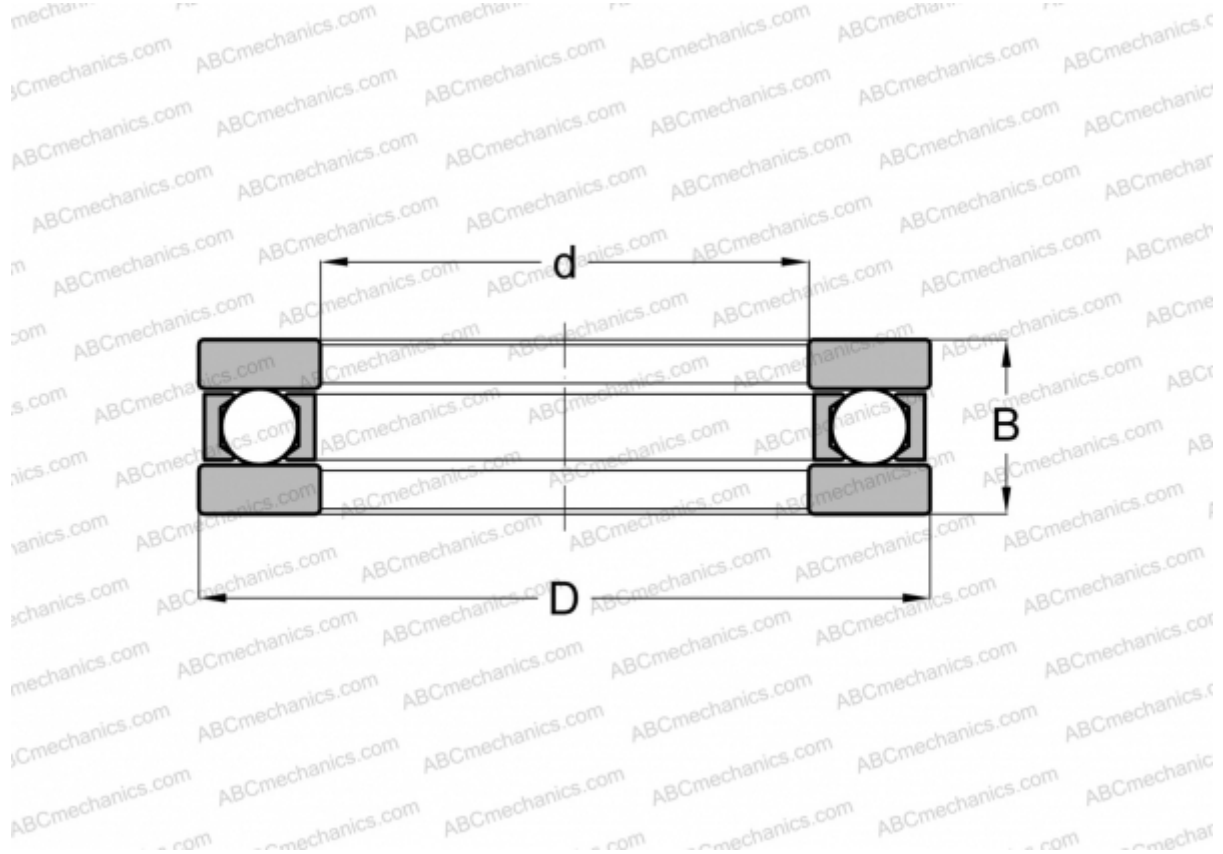


FT-10 INA

Thrust ball bearings

TYPE: Ball bearings, Thrust ball bearing, Single direction, Separable, flat raceway, inch size



Technical specification

DIMENSIONS, MM

| | |
|---|--------|
| d | 26,988 |
| D | 50,005 |
| B | 15,875 |

WEIGHT, KG 0,143

MANUFACTURER [INA](#)

INTERCHANGE

| | |
|---------|-----------------------|
| AETNA | B-10 |
| ANDREWS | FT-10 |