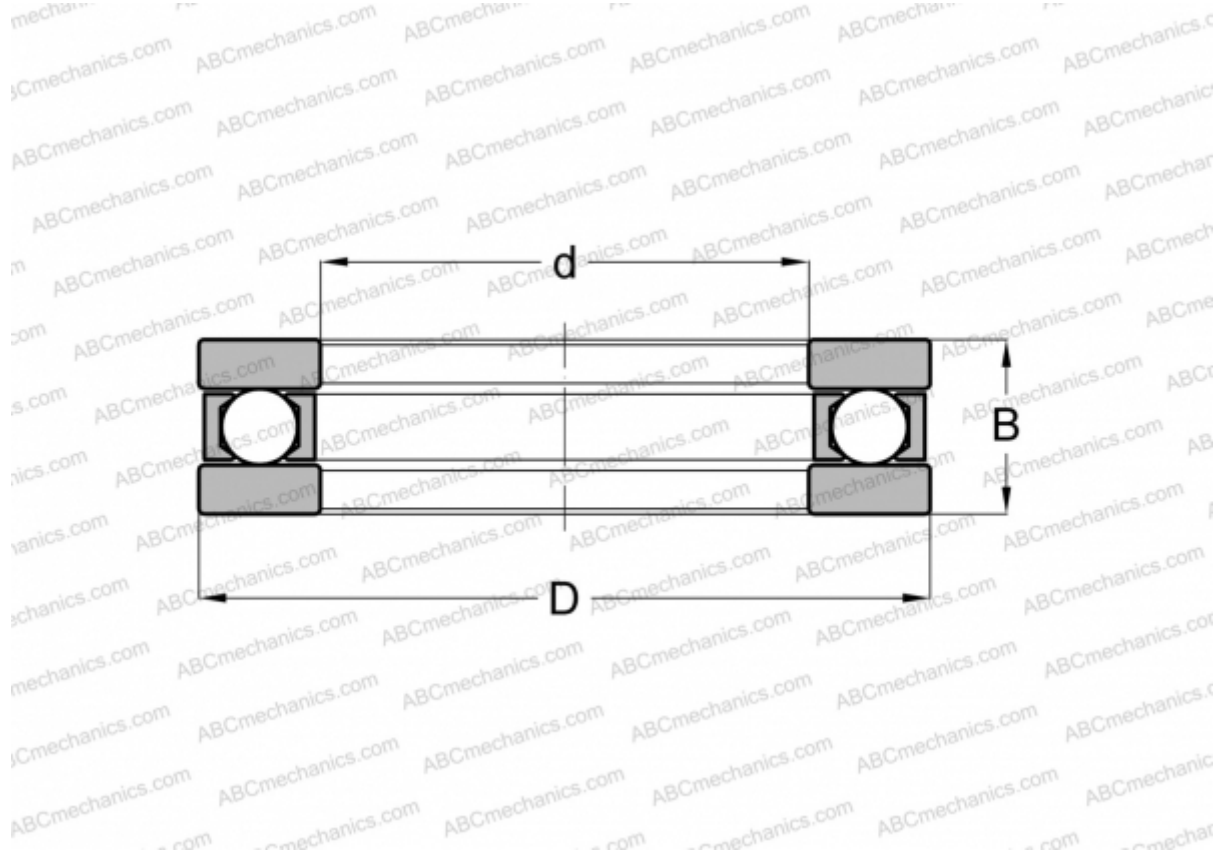


## B-16 AETNA

Thrust ball bearings

TYPE: Ball bearings, Thrust ball bearing, Single direction, Separable, flat raceway, inch size



### Technical specification

#### DIMENSIONS, MM

d	36,513
D	62,705
B	15,875

**WEIGHT, KG** 0,231

**MANUFACTURER** [AETNA](#)

#### INTERCHANGE

INA	<a href="#">FT-16</a>
ANDREWS	<a href="#">FT-16</a>