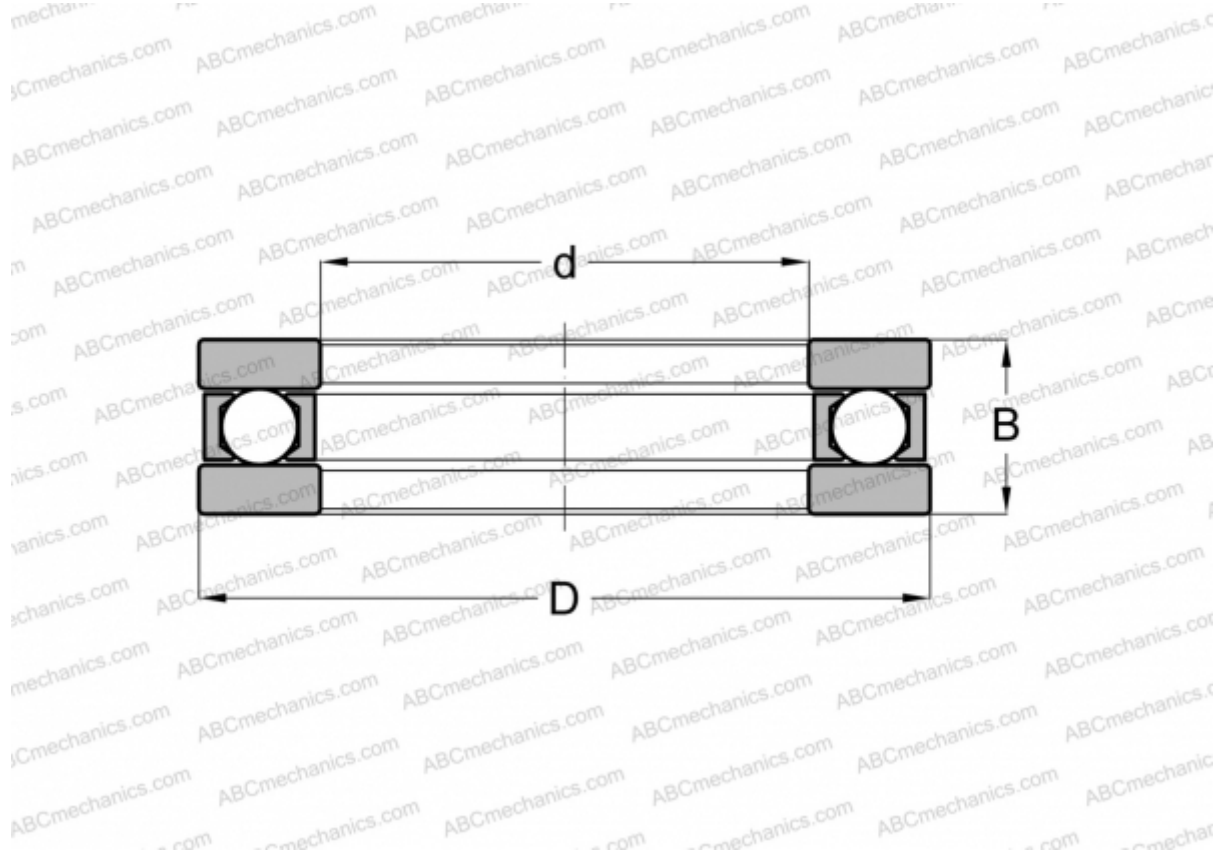


B-37 AETNA

Thrust ball bearings

TYPE: Ball bearings, Thrust ball bearing, Single direction, Separable, flat raceway, inch size



Technical specification

DIMENSIONS, MM

d	69,850
D	113,505
B	25,400

WEIGHT, KG 1,084

MANUFACTURER [AETNA](#)

INTERCHANGE

INA	FT-37
ANDREWS	FT-37