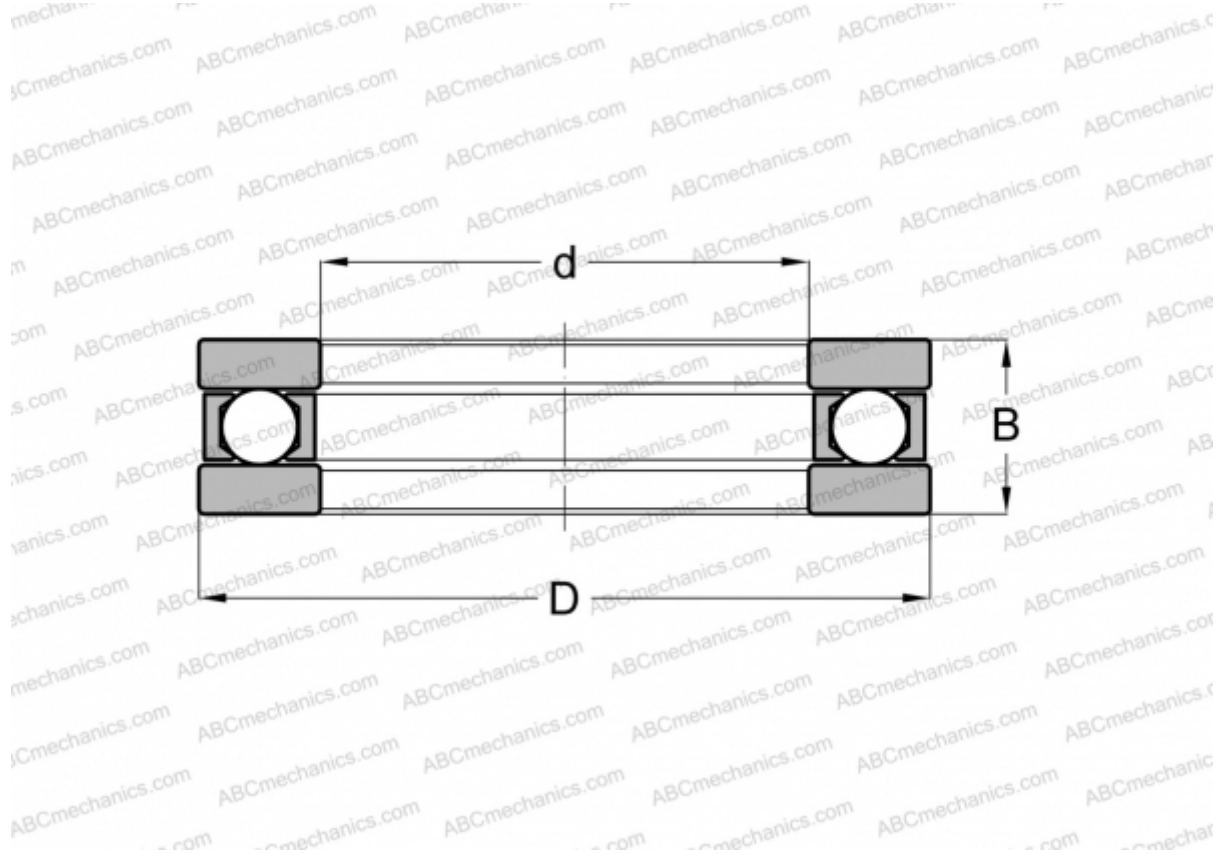


FT-40 INA

Thrust ball bearings

TYPE: Ball bearings, Thrust ball bearing, Single direction, Separable, flat raceway, inch size



Technical specification

DIMENSIONS, MM

d	74,613
D	116,680
B	25,400

WEIGHT, KG 1,034

MANUFACTURER [INA](#)

INTERCHANGE

AETNA	B-40
ANDREWS	FT-40