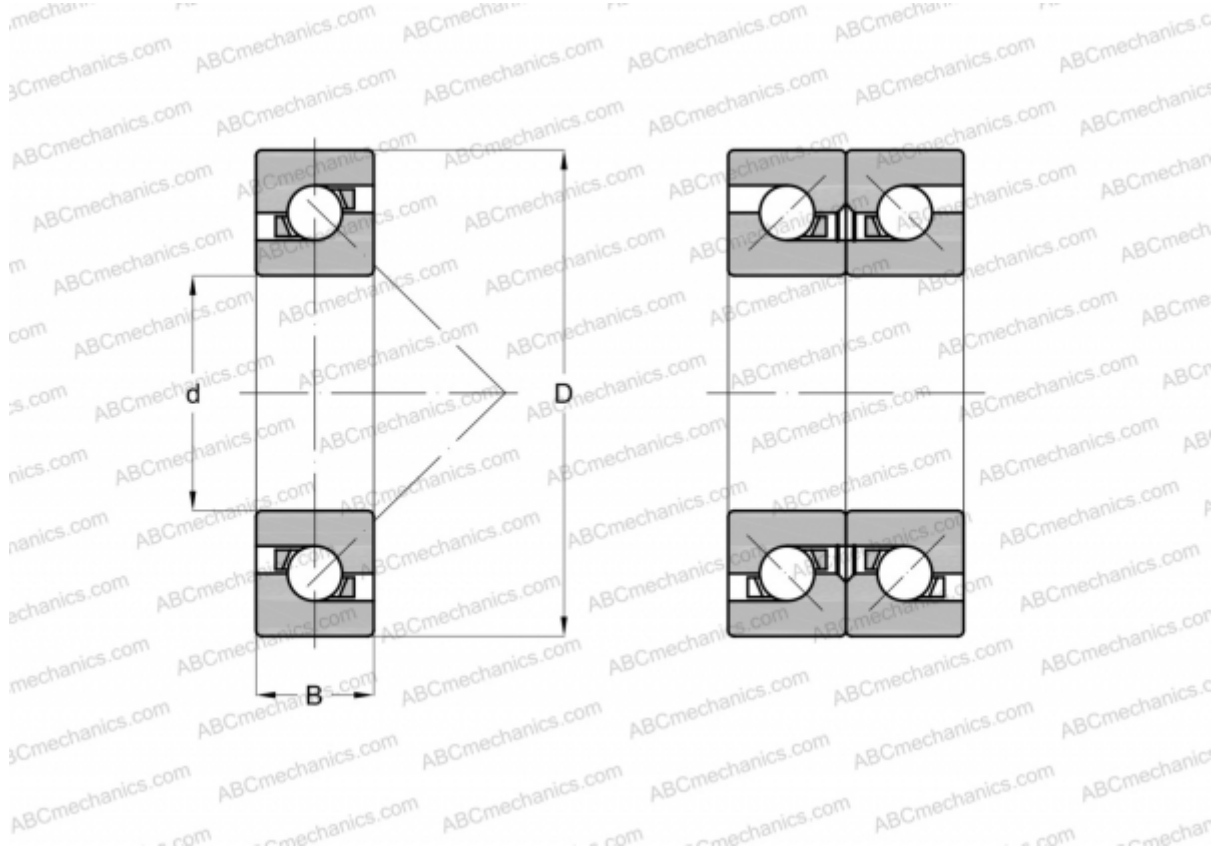


## 100BAR10H TYNDBLP4A NSK

TYPE: Ball bearings, Axial angular contact ball bearing, Single direction, Contact angle 30°, High speed, ceramic ball, duplex, light preload (NSK)



### Technical specification

#### DIMENSIONS, MM

d	100,000
D	150,000
B	22,500

**WEIGHT, KG** 1,307

**MANUFACTURER** [NSK](#)