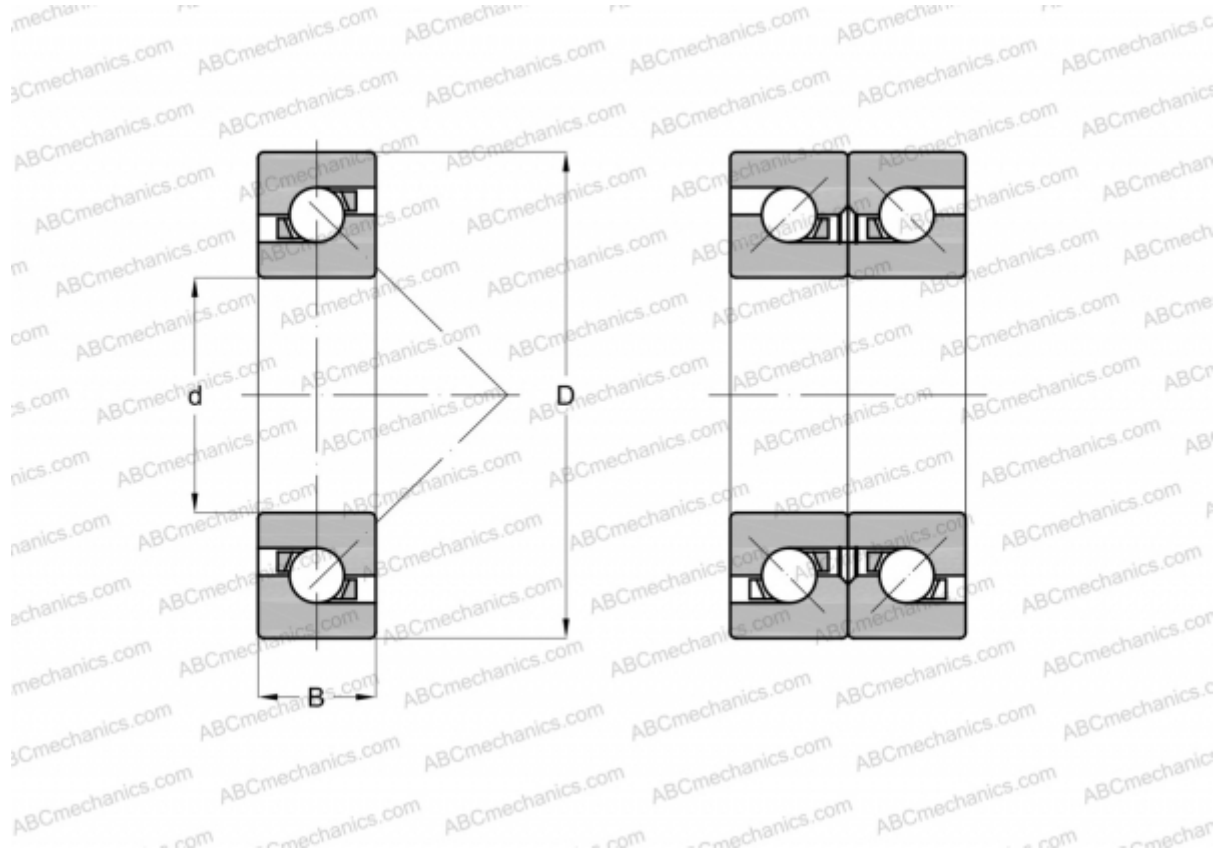


105BAR10H TYNDBLP4A NSK

TYPE: Ball bearings, Axial angular contact ball bearing, Single direction, Contact angle 30°, High speed, ceramic ball, duplex, light preload (NSK)



Technical specification

DIMENSIONS, MM

d	105,000
D	160,000
B	24,750

WEIGHT, KG 1,624

MANUFACTURER [NSK](#)