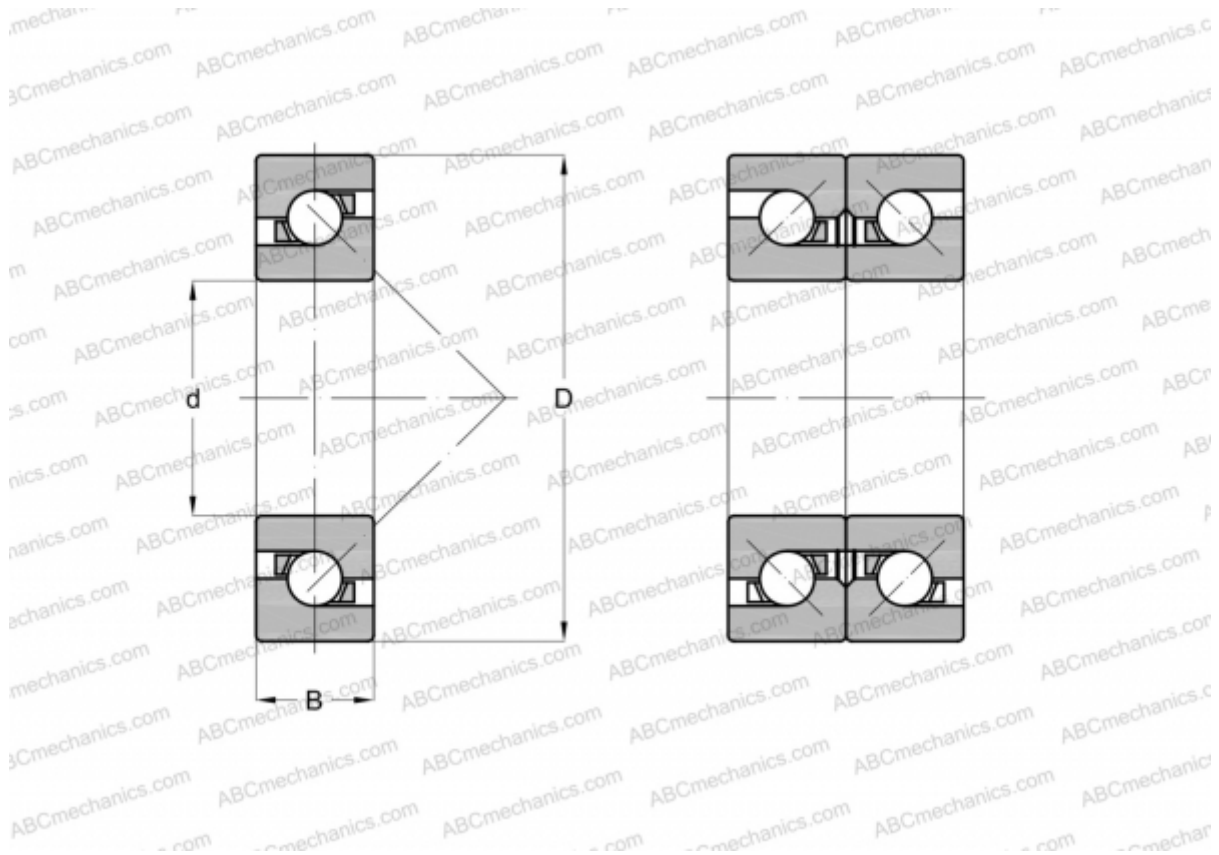


90BAR10H TYNDBELP4A NSK

TYPE: Ball bearings, Axial angular contact ball bearing, Single direction, Contact angle 30°, High speed, duplex, ceramic ball, extra light preload (NSK)



Technical specification

DIMENSIONS, MM

| | |
|---|---------|
| d | 90,000 |
| D | 140,000 |
| B | 22,500 |

WEIGHT, KG 1,124

MANUFACTURER [NSK](#)