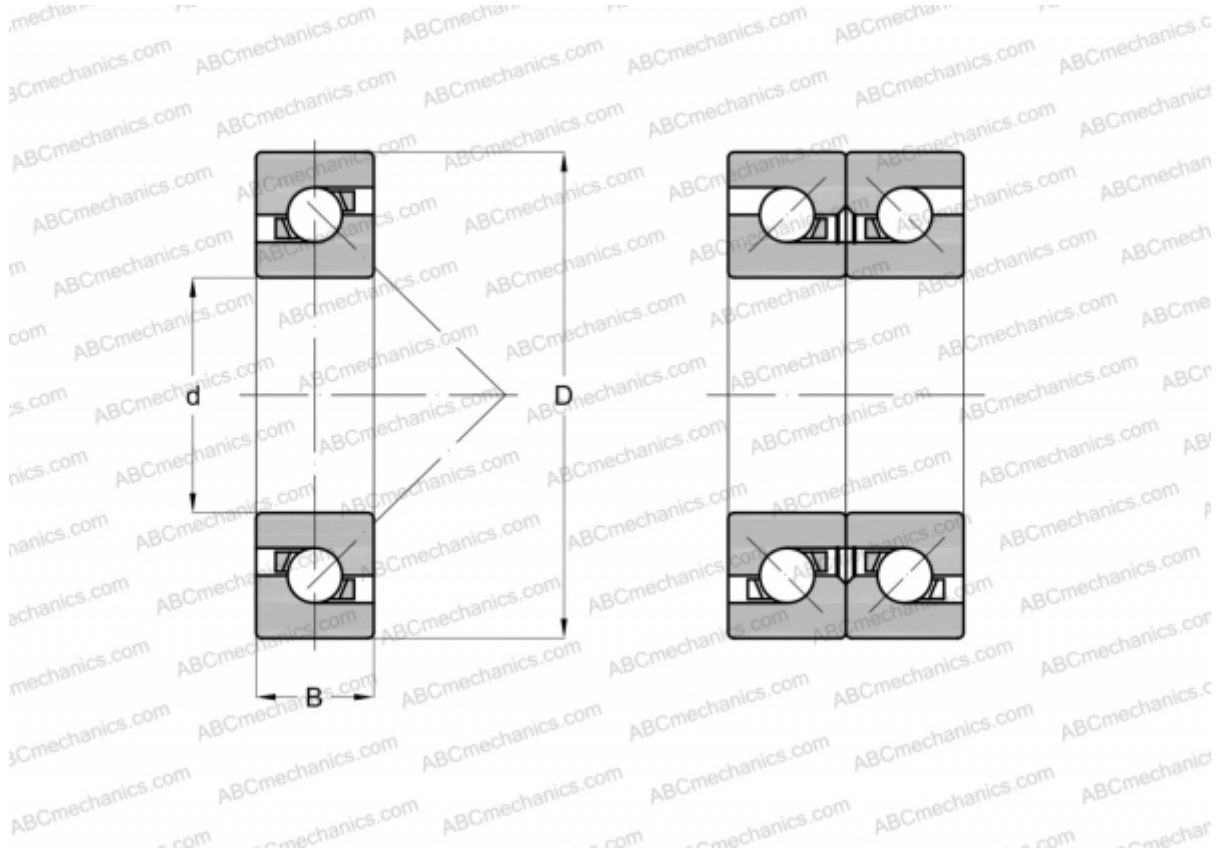


## 100BTR10S TYNDBLP4A NSK

TYPE: Ball bearings, Axial angular contact ball bearing, Single direction, Contact angle 40°, High speed, duplex, light preload (NSK)



### Technical specification

#### DIMENSIONS, MM

$d$	100,000
$D$	150,000
$B$	22,500

**WEIGHT, KG** 1,399

**MANUFACTURER** [NSK](#)