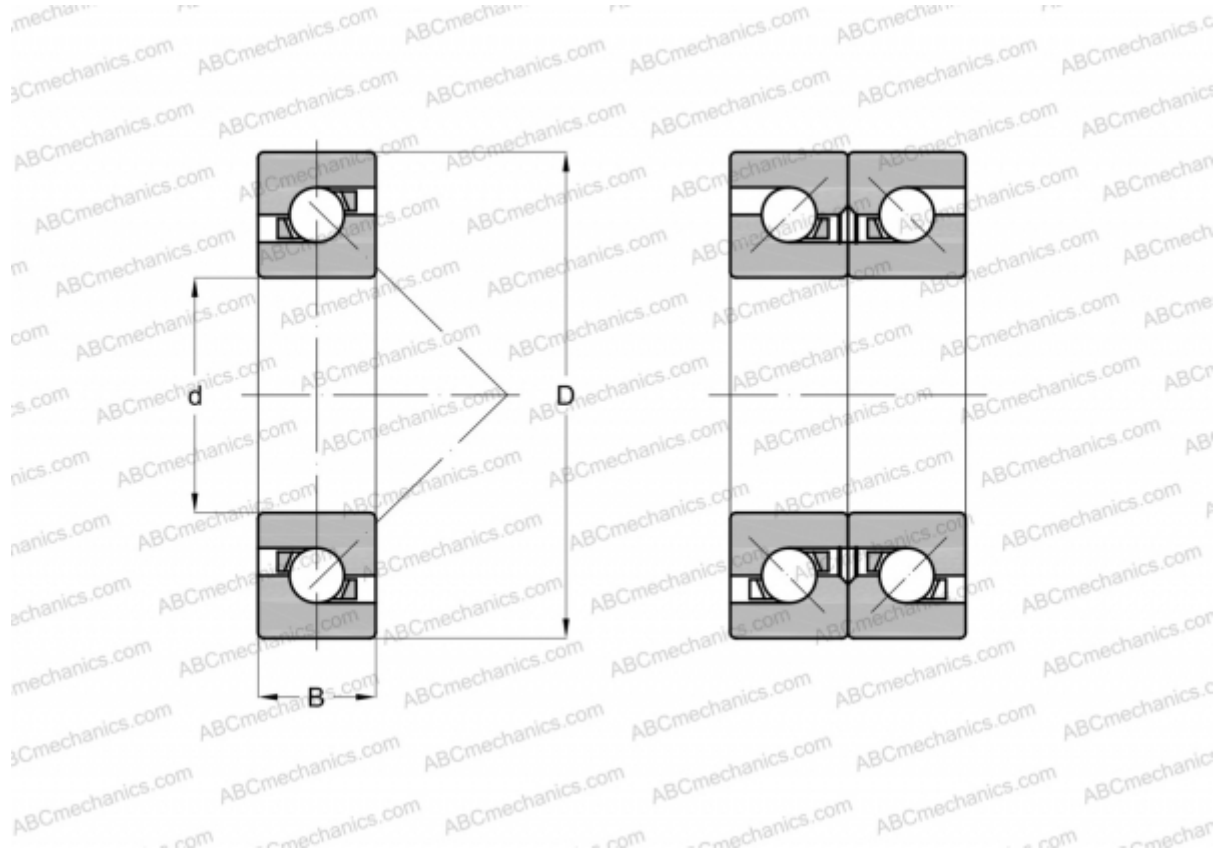


180BTR10S TYNDBLP4A NSK

TYPE: Ball bearings, Axial angular contact ball bearing, Single direction, Contact angle 40°, High speed, duplex, light preload (NSK)



Technical specification

DIMENSIONS, MM

d	180,000
D	280,000
B	45,000

WEIGHT, KG 10,200

MANUFACTURER [NSK](#)