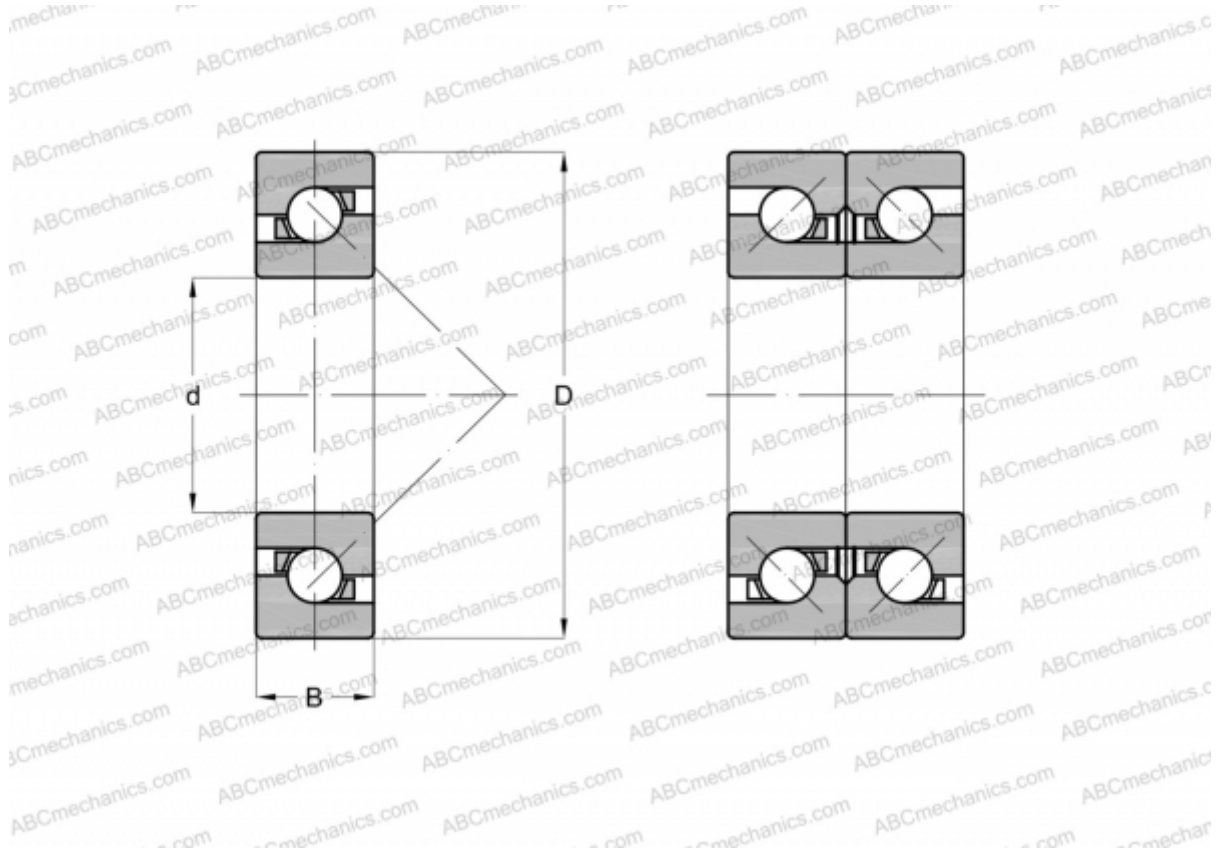


## 200BTR10S TYNDBLP4A NSK

TYPE: Ball bearings, Axial angular contact ball bearing, Single direction, Contact angle 40°, High speed, duplex, light preload (NSK)



### Technical specification

#### DIMENSIONS, MM

d	200,000
D	310,000
B	49,500

**WEIGHT, KG** 13,800

**MANUFACTURER** [NSK](#)