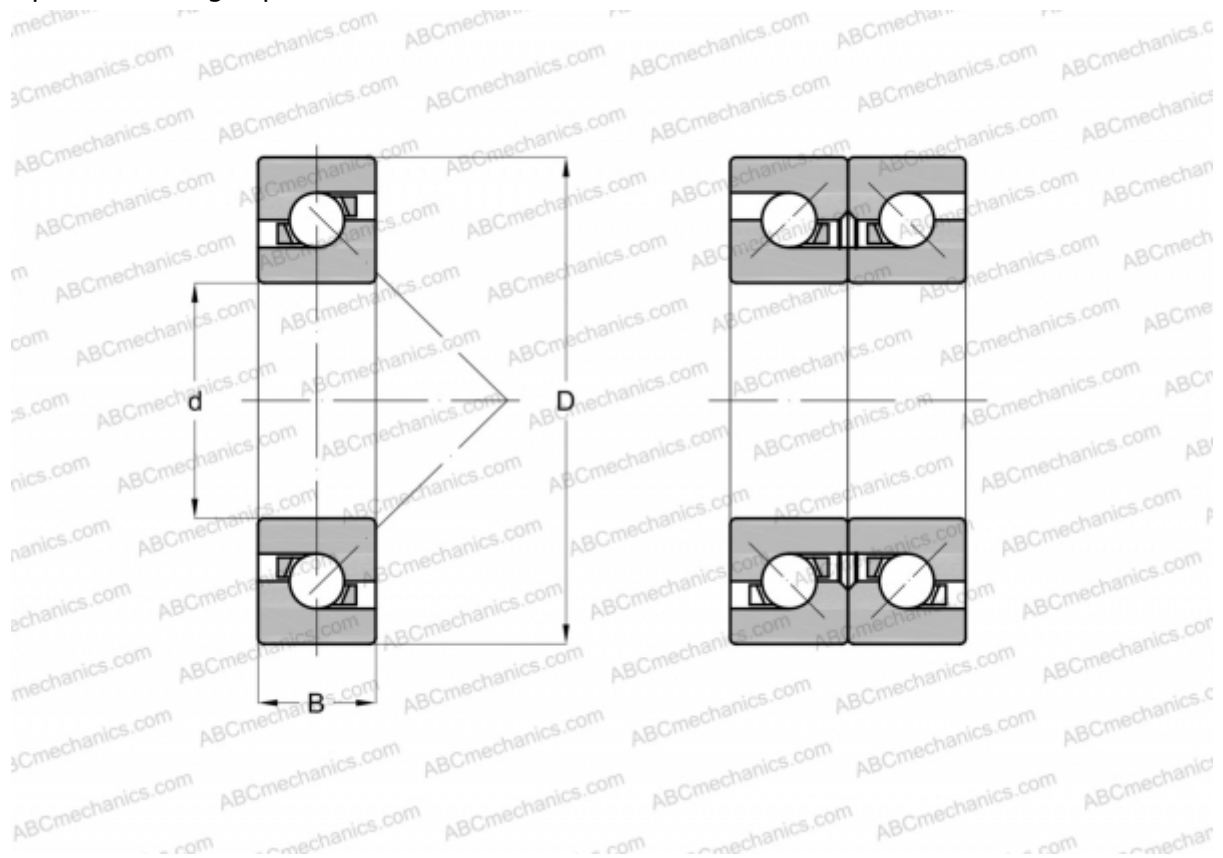


## 80BTR10S TYNDBELP4A NSK

Axial angular contact ball bearing

TYPE: Ball bearings, Axial angular contact ball bearing, Single direction, Contact angle 40°, High speed, duplex, extra light preload (NSK)



### Technical specification

#### DIMENSIONS, MM

$d$	80,000
$D$	125,000
$B$	20,250

**WEIGHT, KG** 0,875

**MANUFACTURER** [NSK](#)