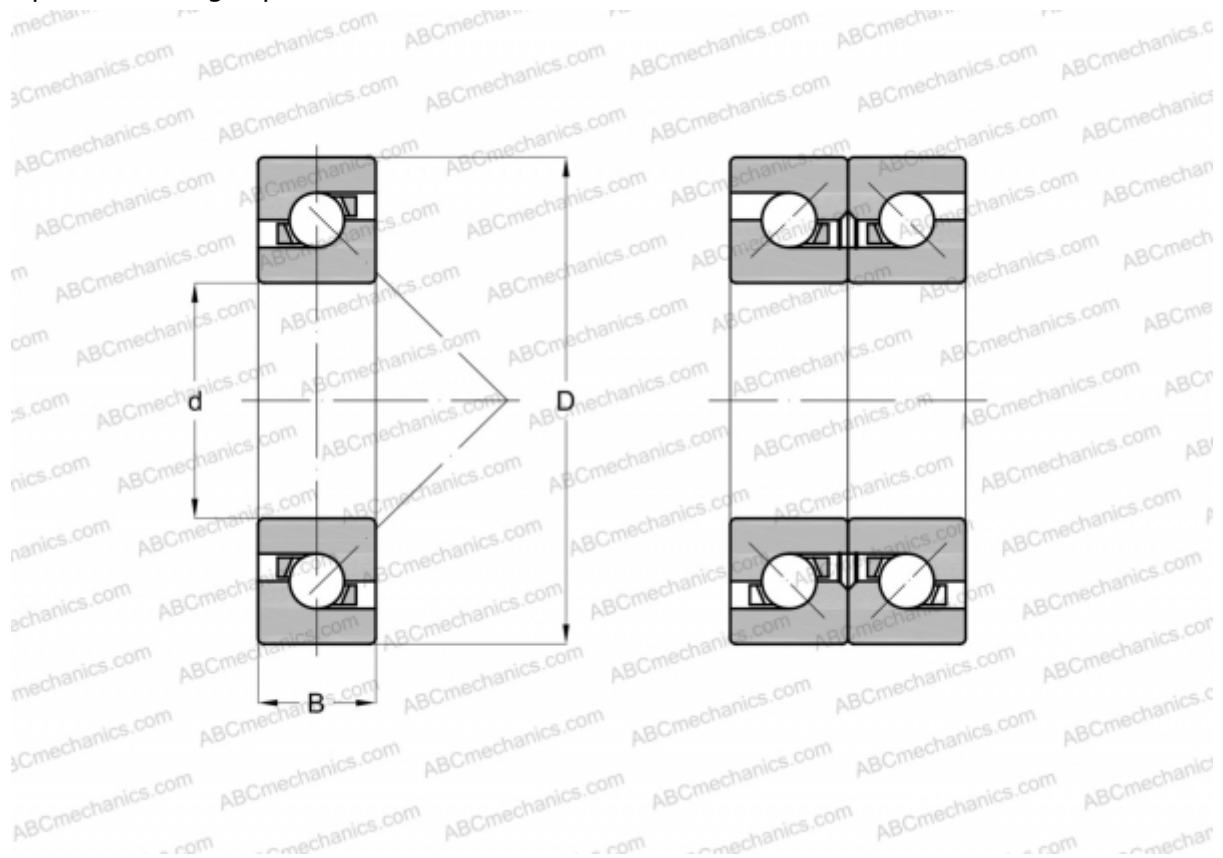


## 100BTR10S TYNDBELP4A NSK

Axial angular contact ball bearing

TYPE: Ball bearings, Axial angular contact ball bearing, Single direction, Contact angle 40°, High speed, duplex, extra light preload (NSK)



### Technical specification

#### DIMENSIONS, MM

d	100,000
D	150,000
B	22,500

**WEIGHT, KG** 1,399

**MANUFACTURER** [NSK](#)