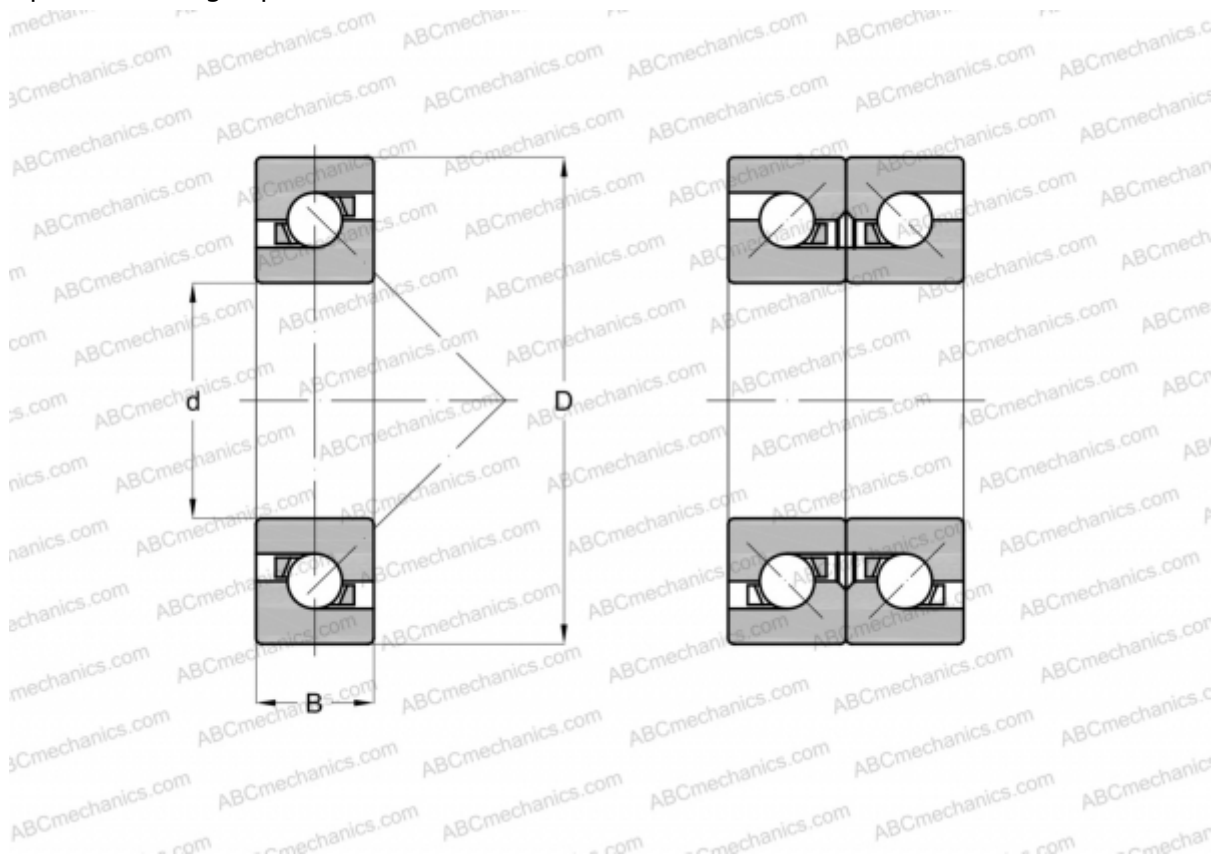


150BTR10S TYNDBELP4A NSK

Axial angular contact ball bearing

TYPE: Ball bearings, Axial angular contact ball bearing, Single direction, Contact angle 40°, High speed, duplex, extra light preload (NSK)



Technical specification

DIMENSIONS, MM

| | |
|---|---------|
| d | 150,000 |
| D | 225,000 |
| B | 33,750 |

WEIGHT, KG 4,354

MANUFACTURER [NSK](#)