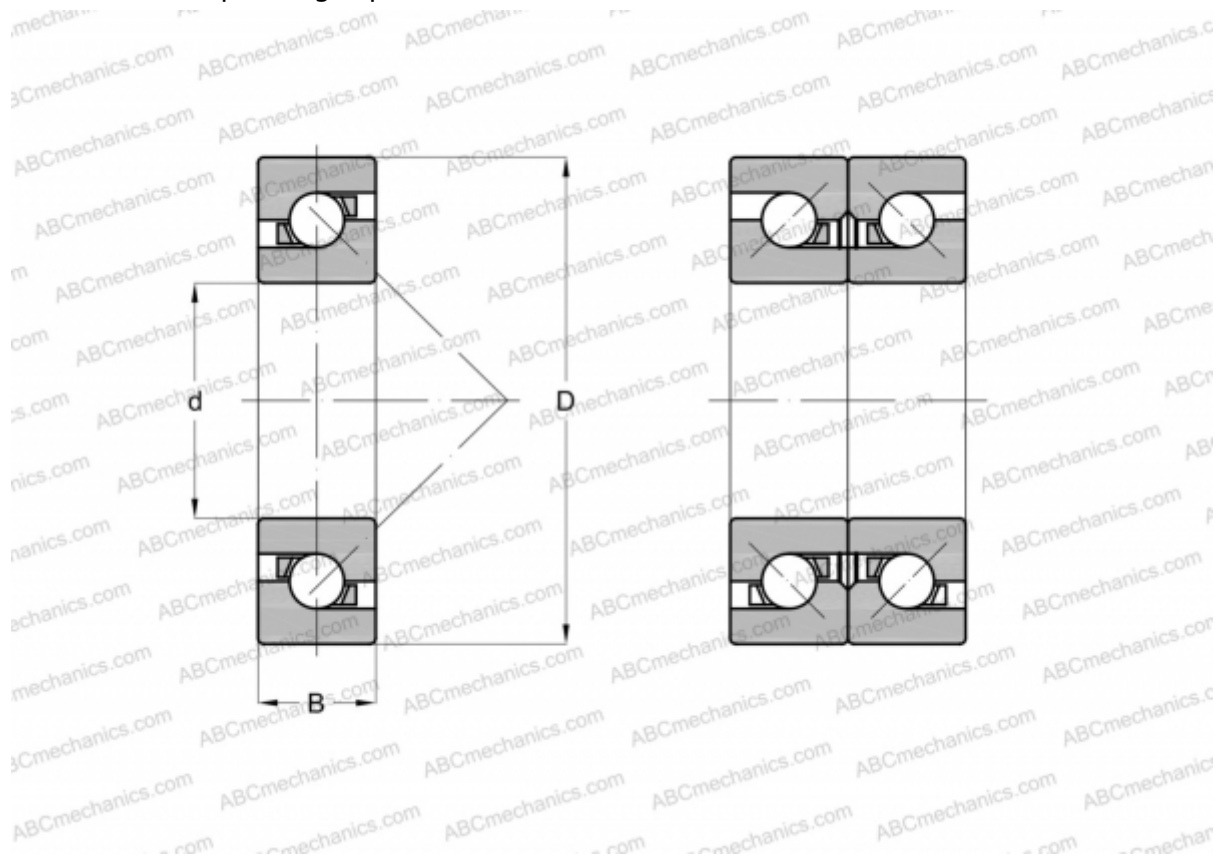


70BTR10H TYNDBLP4A NSK

Axial angular contact ball bearing

TYPE: Ball bearings, Axial angular contact ball bearing, Single direction, Contact angle 40°, High speed, ceramic ball, duplex, light preload (NSK)



Technical specification

DIMENSIONS, MM

d	70,000
D	110,000
B	18,000

WEIGHT, KG 0,561

MANUFACTURER [NSK](#)