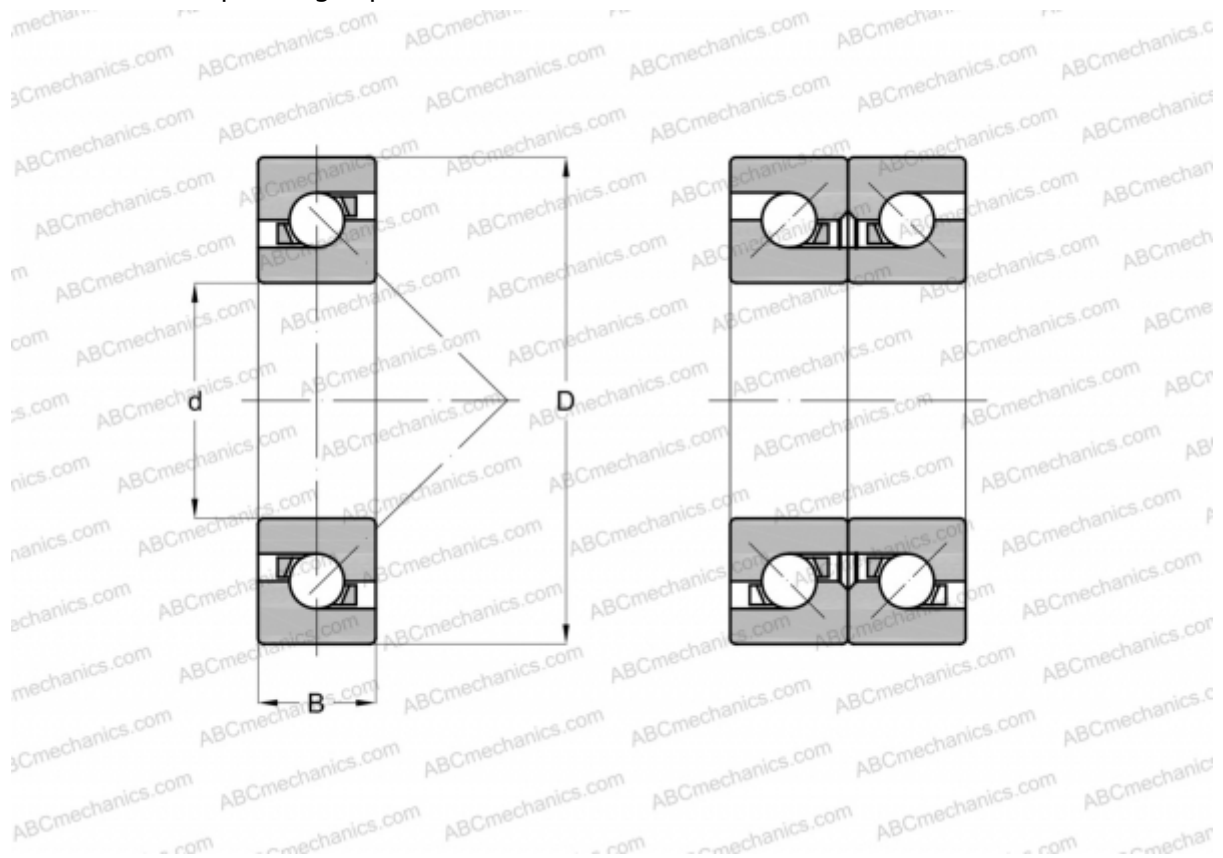


## 80BTR10H TYNDBLP4A NSK

Axial angular contact ball bearing

TYPE: Ball bearings, Axial angular contact ball bearing, Single direction, Contact angle 40°, High speed, ceramic ball, duplex, light preload (NSK)



### Technical specification

#### DIMENSIONS, MM

d	80,000
D	125,000
B	20,250

**WEIGHT, KG** 0,821

**MANUFACTURER** [NSK](#)