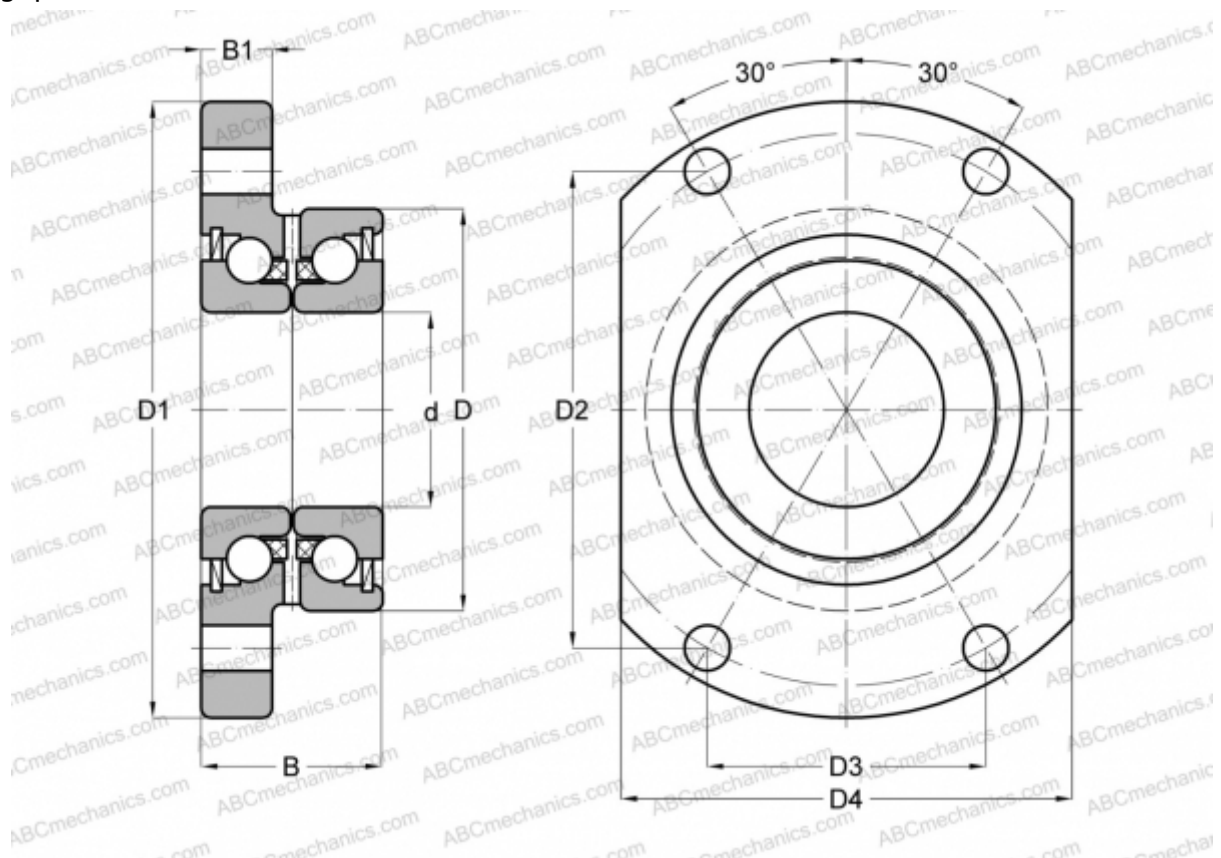


ZKLFA 0640 2Z INA

Axial angular contact ball bearing

TYPE: Ball bearings, Axial angular contact ball bearing, Unit, Series ZKLFA, double direction, with flange, gap seals on both side



Technical specification

DIMENSIONS, MM

d	6,000
D	24,000
D1	40,000
D2	27,500
D3	16,000
D4	27,000
B	15,000
B1	6,000

WEIGHT, KG 0,080

MANUFACTURER [INA](http://www.ina.com)