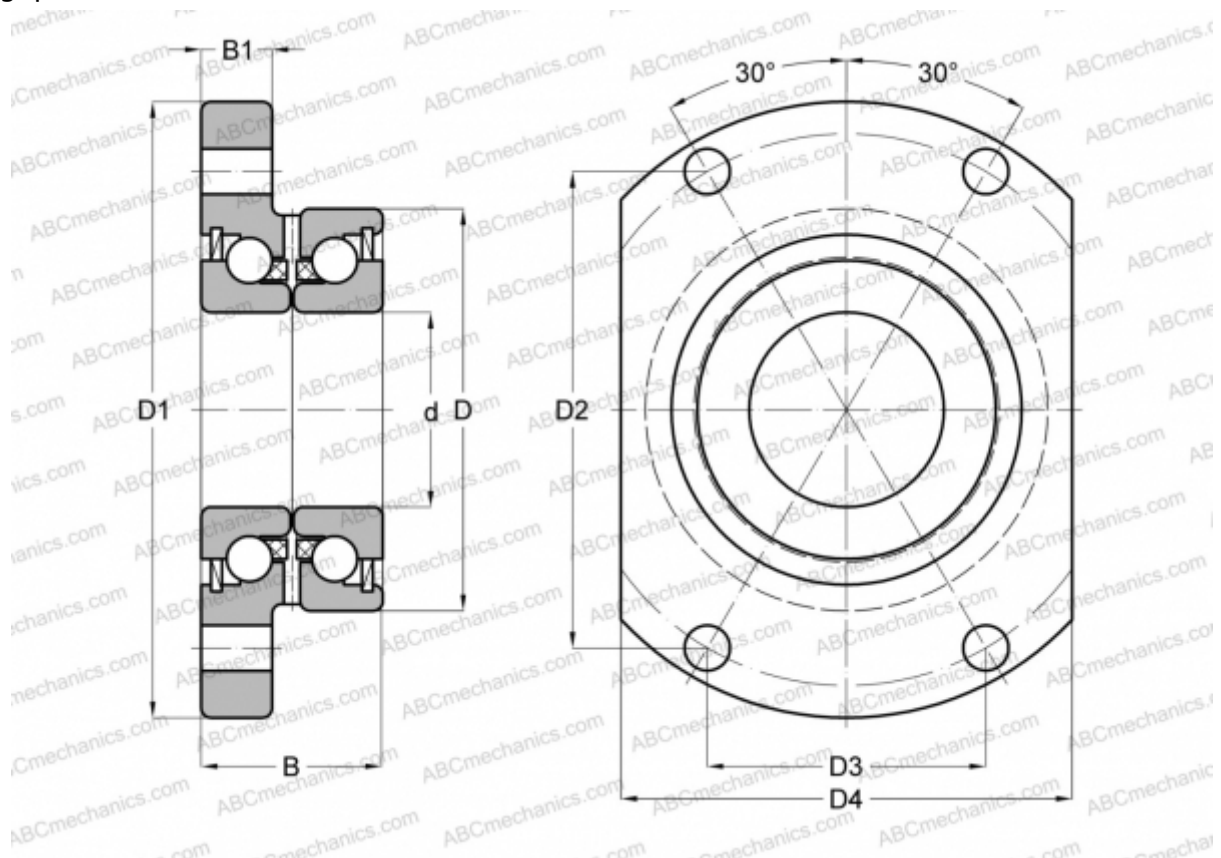


ZKLFA 1263 2Z INA

Axial angular contact ball bearing

TYPE: Ball bearings, Axial angular contact ball bearing, Unit, Series ZKLFA, double direction, with flange, gap seals on both side



Technical specification

DIMENSIONS, MM

| | |
|----|--------|
| d | 12,000 |
| D | 42,000 |
| D1 | 63,000 |
| D2 | 46,000 |
| D3 | 26,500 |
| D4 | 45,000 |
| B | 25,000 |
| B1 | 10,000 |

WEIGHT, KG 0,300

MANUFACTURER [INA](http://www.ina.com)