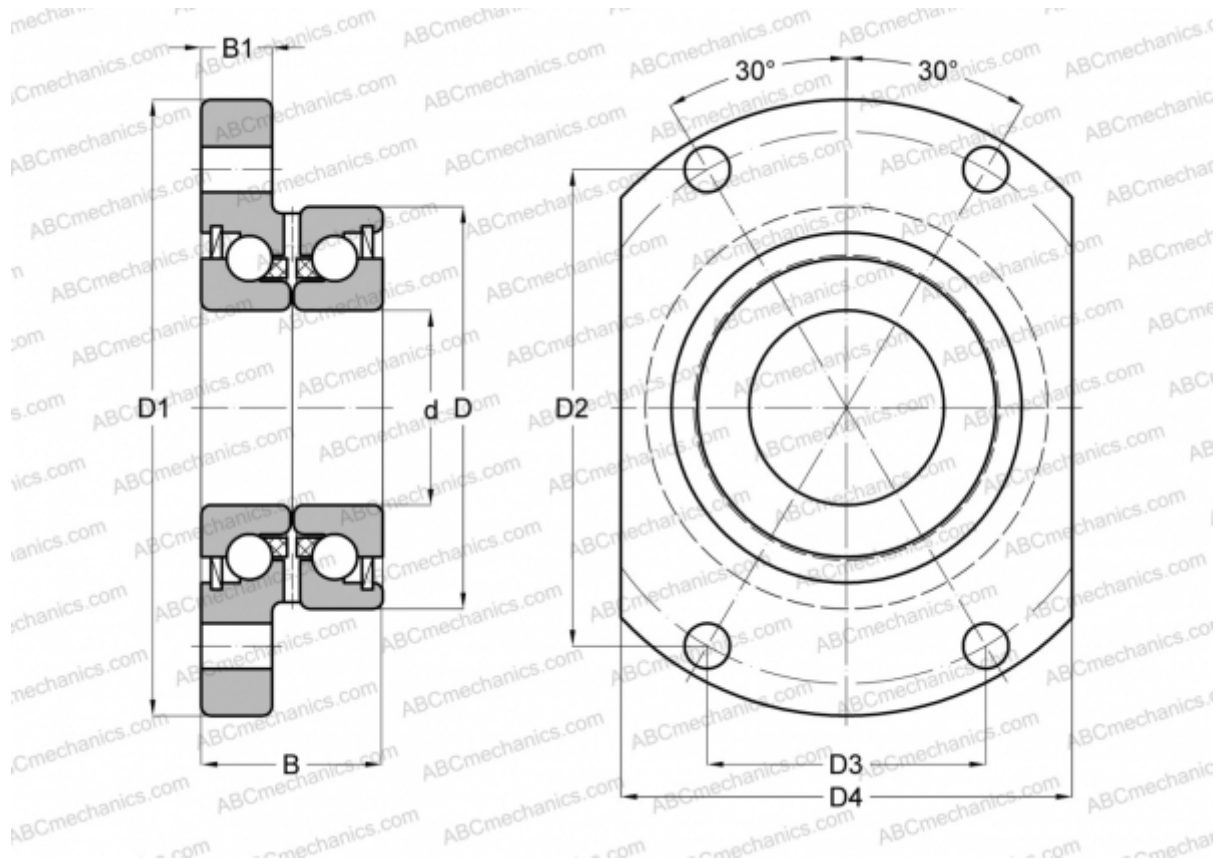


ZKLFA 1563 2Z INA

Axial angular contact ball bearing

TYPE: Ball bearings, Axial angular contact ball bearing, Unit, Series ZKLFA, double direction, with flange, gap seals on both side



Technical specification

DIMENSIONS, MM

d	15,000
D	42,000
D1	63,000
D2	46,000
D3	26,500
D4	45,000
B	25,000
B1	10,000

WEIGHT, KG 0,310

MANUFACTURER [INA](https://www.ina.com)