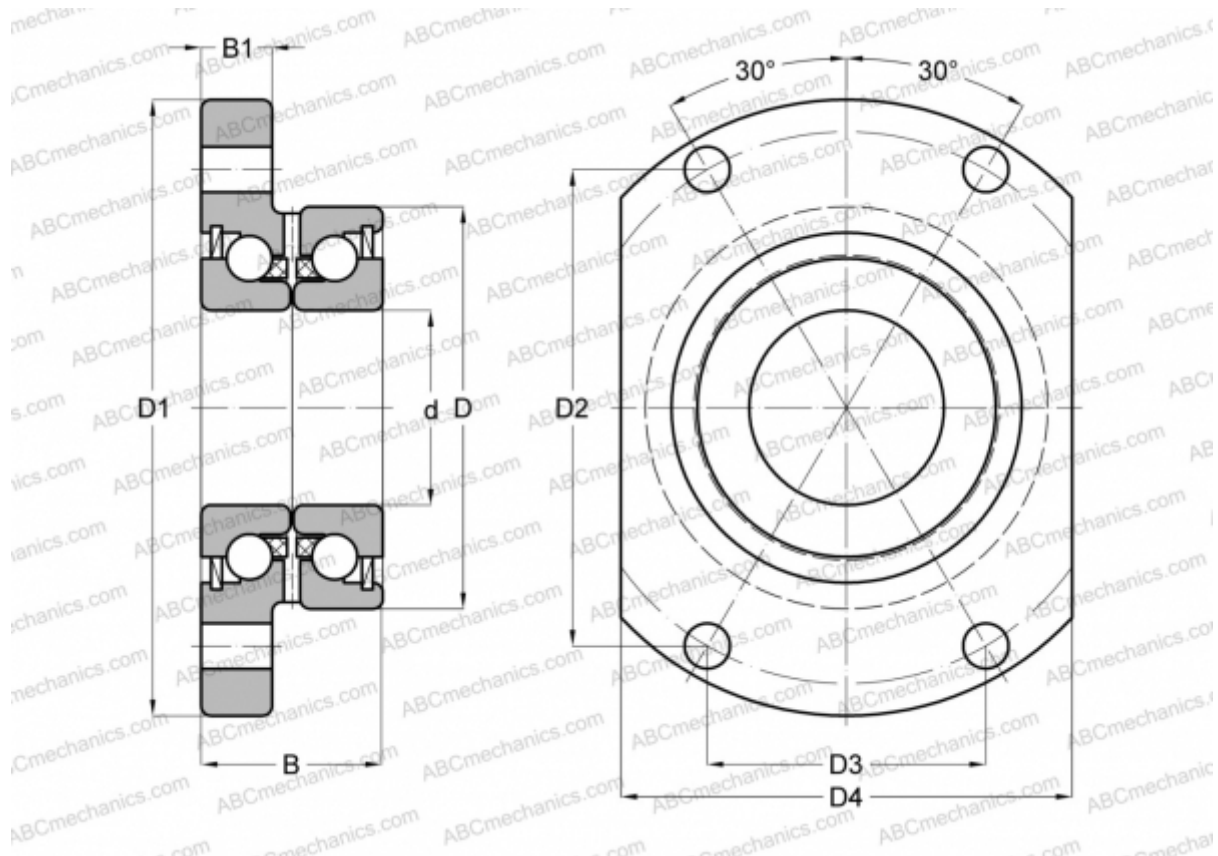


ZKLFA 1050 2RS INA

Axial angular contact ball bearing

TYPE: Ball bearings, Axial angular contact ball bearing, Unit, Series ZKLFA, double direction, with flange, lip seals on both side



Technical specification

DIMENSIONS, MM

d	10,000
D	32,000
D1	50,000
D2	34,500
D3	20,000
D4	35,000
B	20,000
B1	8,000

WEIGHT, KG 0,180

MANUFACTURER [INA](https://www.ina.com)