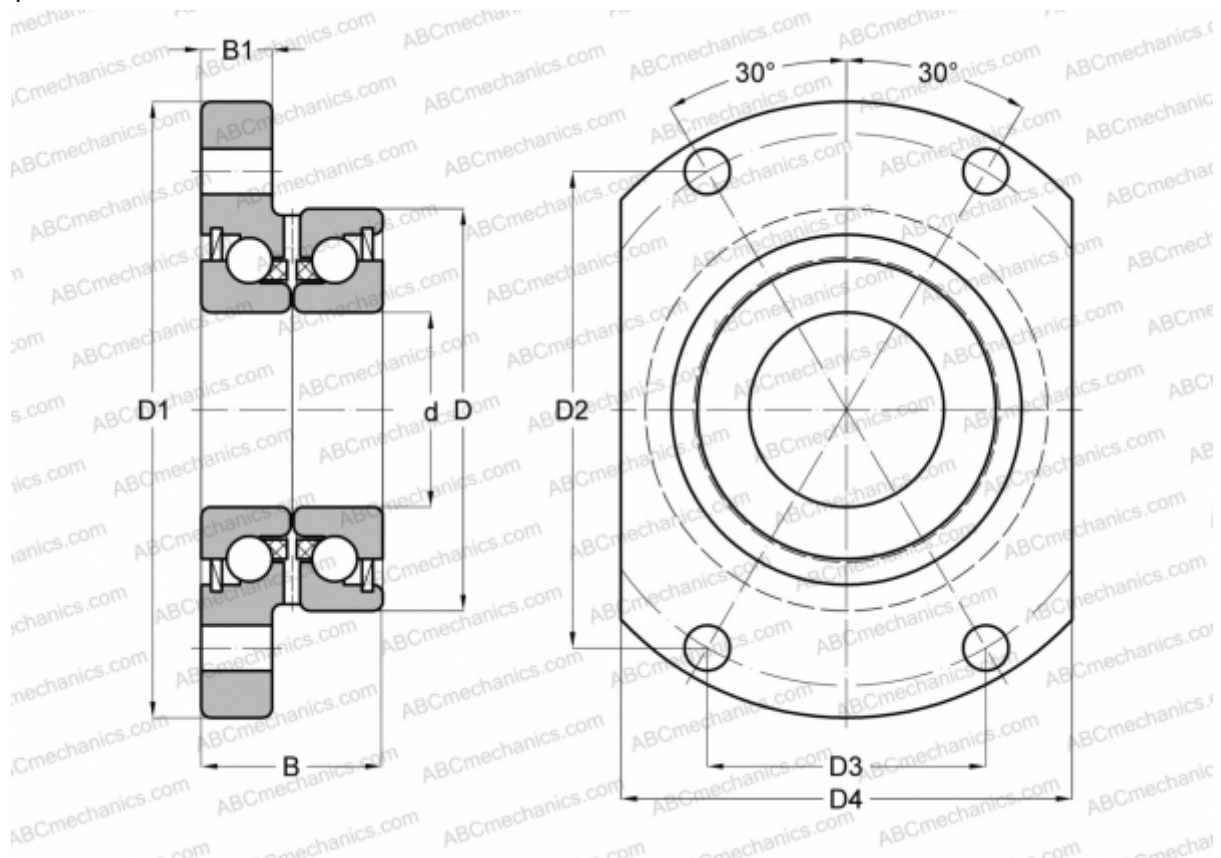


## ZKLFA 1563 2RS INA

Axial angular contact ball bearing

TYPE: Ball bearings, Axial angular contact ball bearing, Unit, Series ZKLFA, double direction, with flange, lip seals on both side



### Technical specification

#### DIMENSIONS, MM

d	15,000
D	42,000
D1	63,000
D2	46,000
D3	26,500
D4	45,000
B	25,000
B1	10,000

**WEIGHT, KG** 0,310

**MANUFACTURER** [INA](https://www.ina.com)