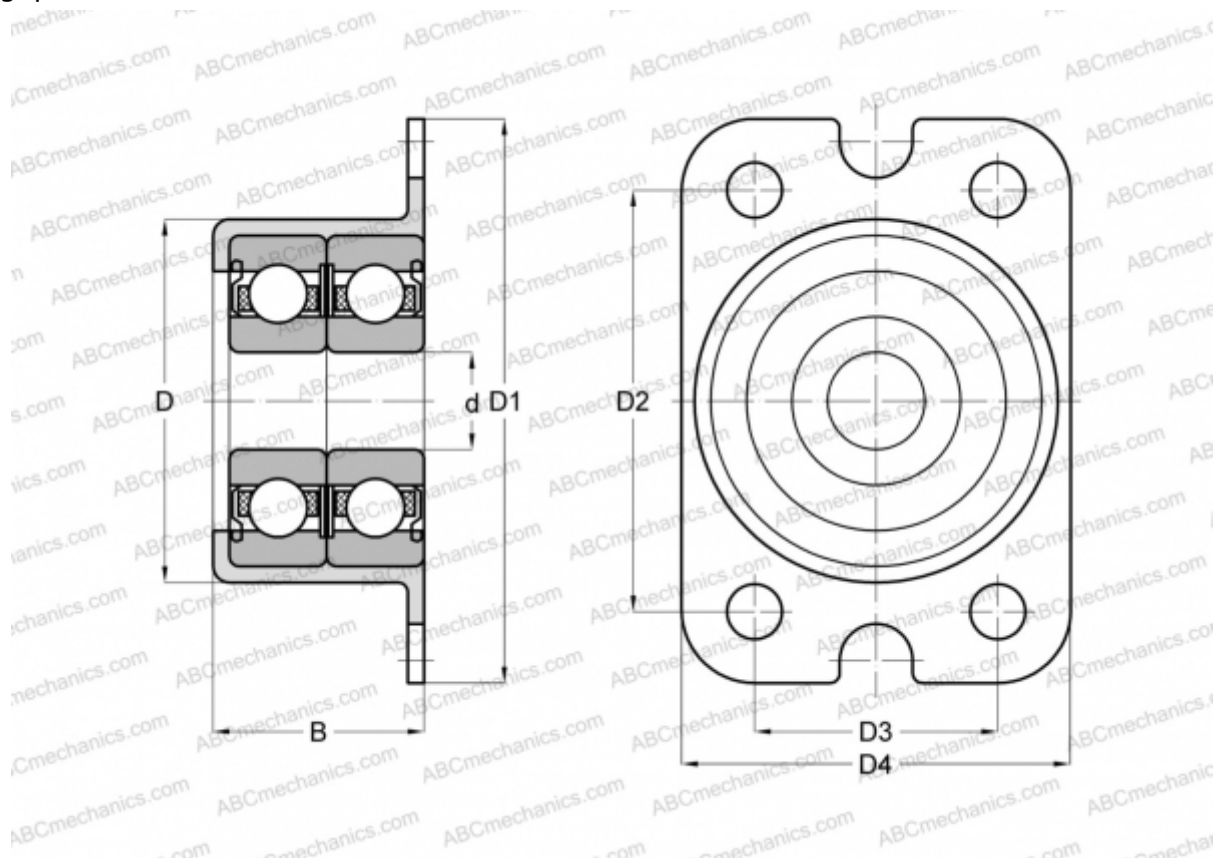


## ZKLR 0624 2Z INA

Axial angular contact ball bearing

TYPE: Ball bearings, Axial angular contact ball bearing, Unit, Series ZKLR, double direction, with flange, gap seals on both side



### Technical specification

#### DIMENSIONS, MM

d	6,000
D	20,500
D1	35,000
D2	26,000
D3	15,000
D4	24,000
B	13,000

**WEIGHT, KG** 0,023

**MANUFACTURER** [INA](#)