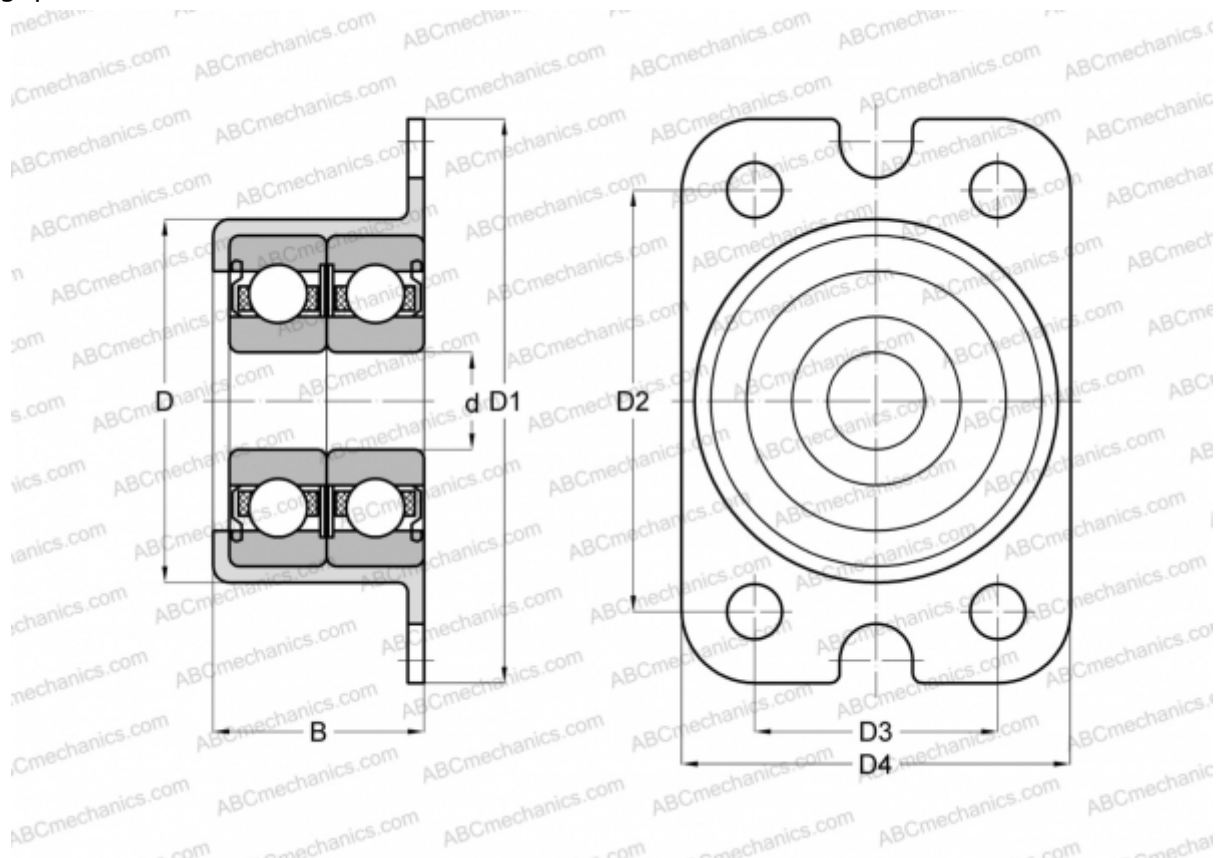


ZKLR 0828 2Z INA

Axial angular contact ball bearing

TYPE: Ball bearings, Axial angular contact ball bearing, Unit, Series ZKLR, double direction, with flange, gap seals on both side



Technical specification

DIMENSIONS, MM

d	8,000
D	23,900
$D1$	35,000
$D2$	26,000
$D3$	20,000
$D4$	28,000
B	15,500

WEIGHT, KG 0,030

MANUFACTURER [INA](#)