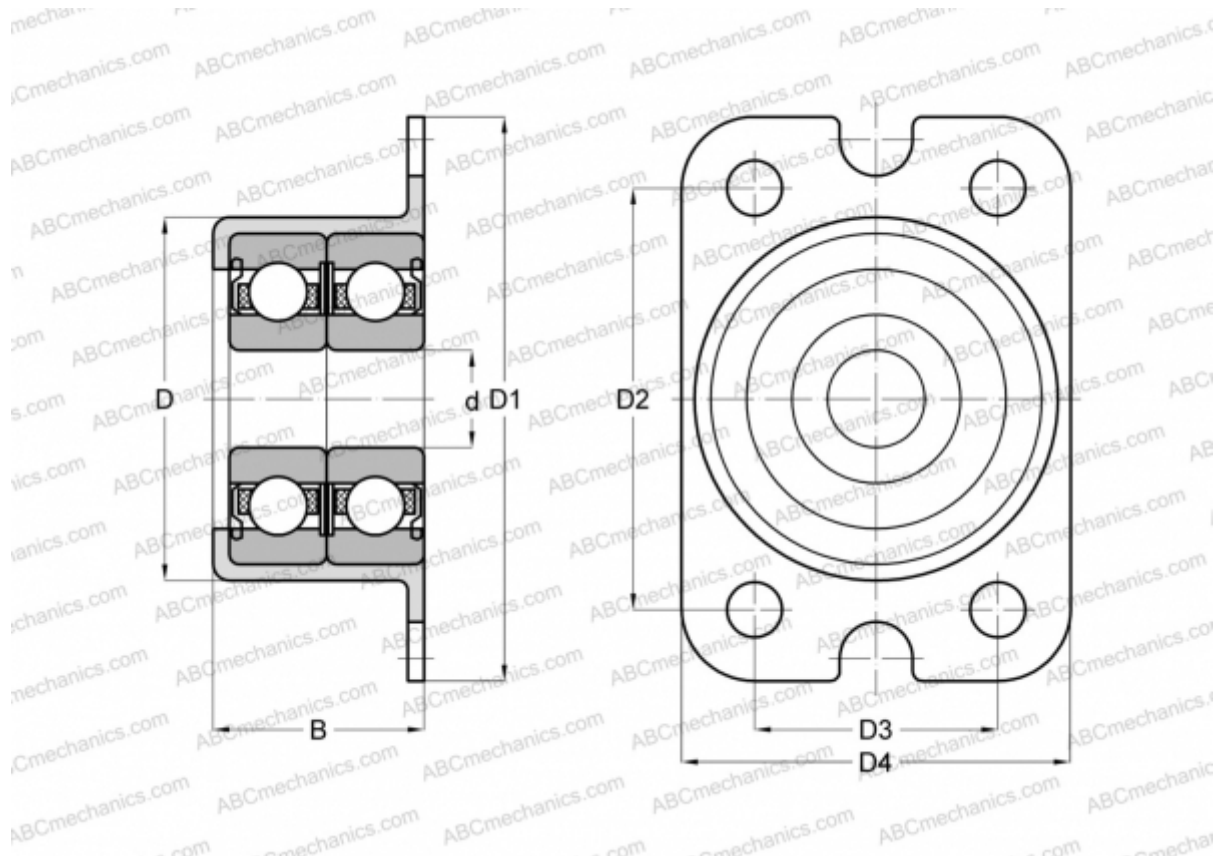


ZKLR 1035 2Z INA

Axial angular contact ball bearing

TYPE: Ball bearings, Axial angular contact ball bearing, Unit, Series ZKLR, double direction, with flange, gap seals on both side



Technical specification

DIMENSIONS, MM

d	10,000
D	28,140
D1	35,000
D2	26,000
D3	26,000
D4	35,000
B	17,500

WEIGHT, KG 0,050

MANUFACTURER [INA](#)