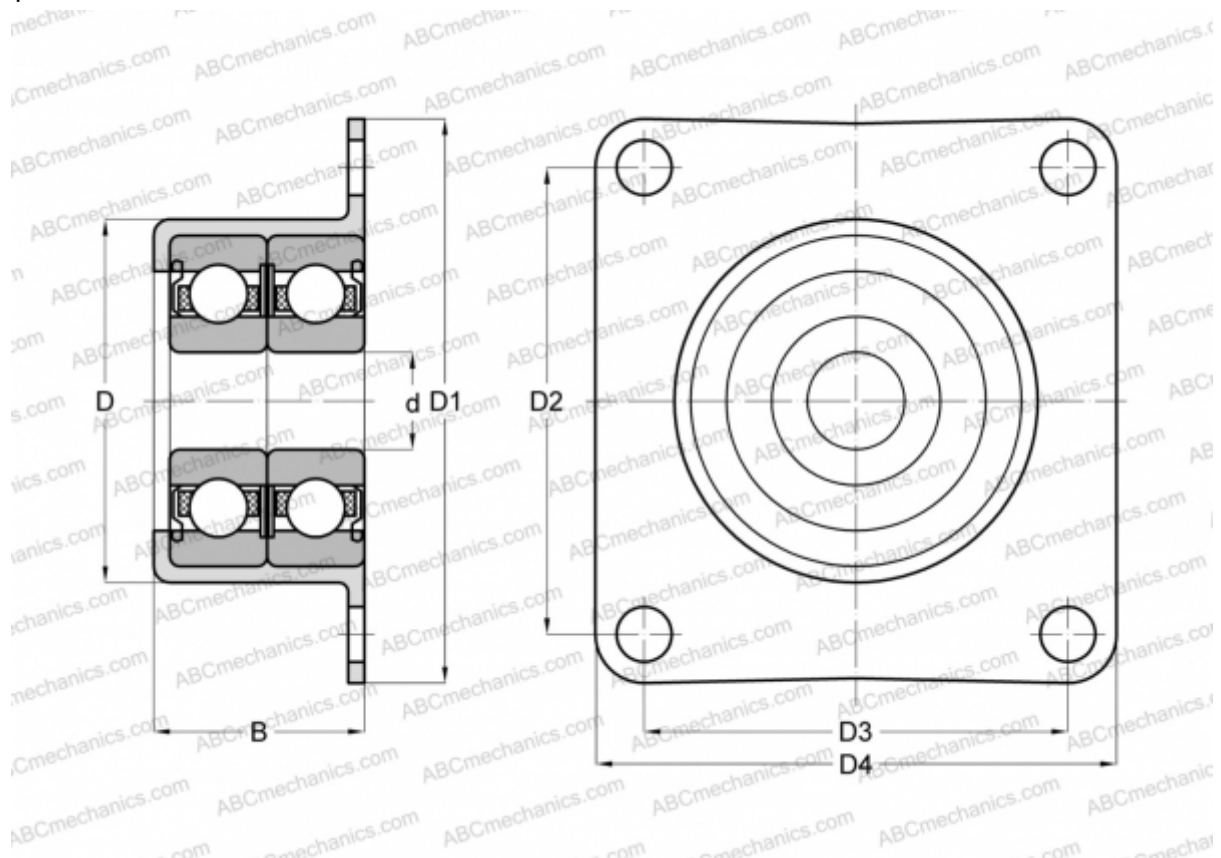


ZKLR 1244 2RS INA

Axial angular contact ball bearing

TYPE: Ball bearings, Axial angular contact ball bearing, Unit, Series ZKLR, double direction, with flange, lip seals on both side



Technical specification

DIMENSIONS, MM

d	12,000
D	35,450
D1	50,000
D2	38,000
D3	32,000
D4	44,000
B	22,000

WEIGHT, KG 0,120

MANUFACTURER [INA](#)