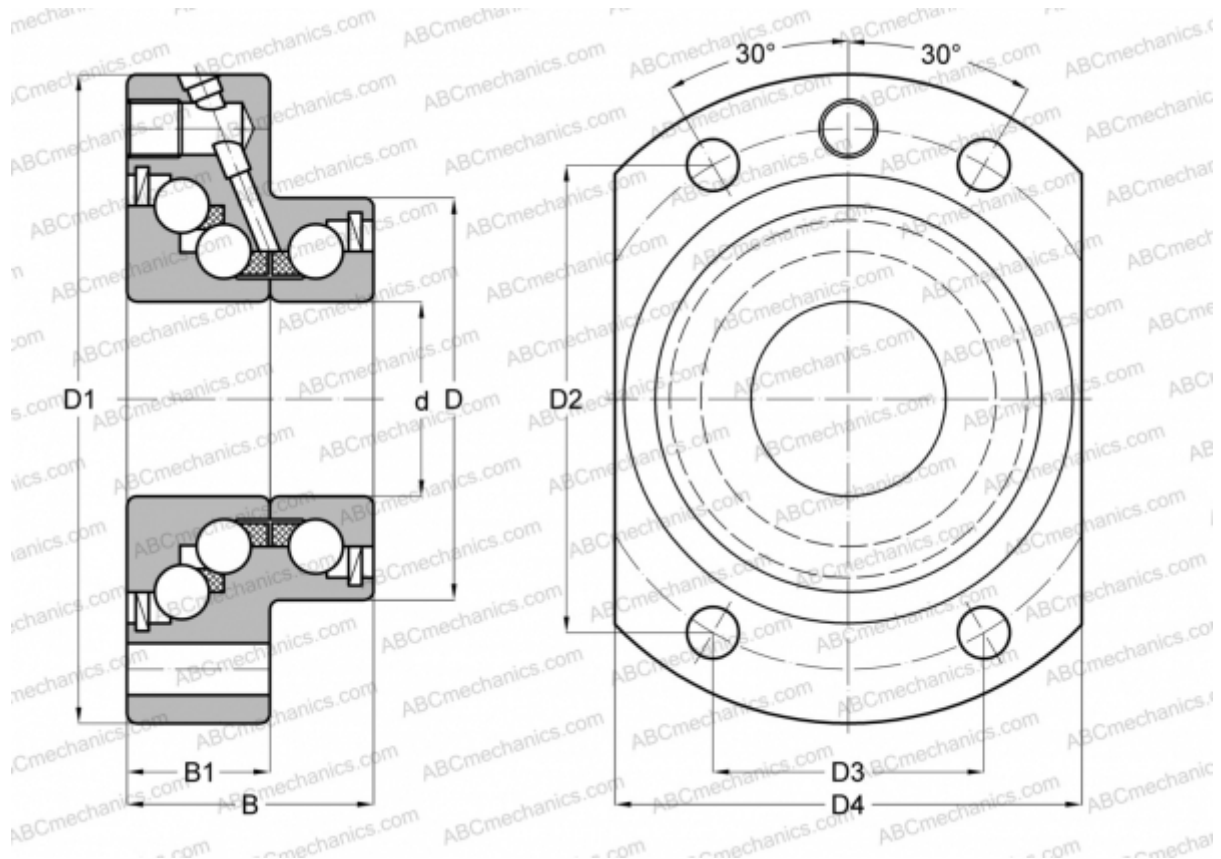


## DKLFA 40115 2RS INA

Axial angular contact ball bearing

TYPE: Ball bearings, Axial angular contact ball bearing, Unit, Series DKLFA, double direction, with flange, lip seals on both side



### Technical specification

#### DIMENSIONS, MM

d	40,000
D	72,000
D1	115,000
D4	90,000
B	42,000
B1	23,000

**WEIGHT, KG** 1,500

**MANUFACTURER** [INA](http://www.ina.com)