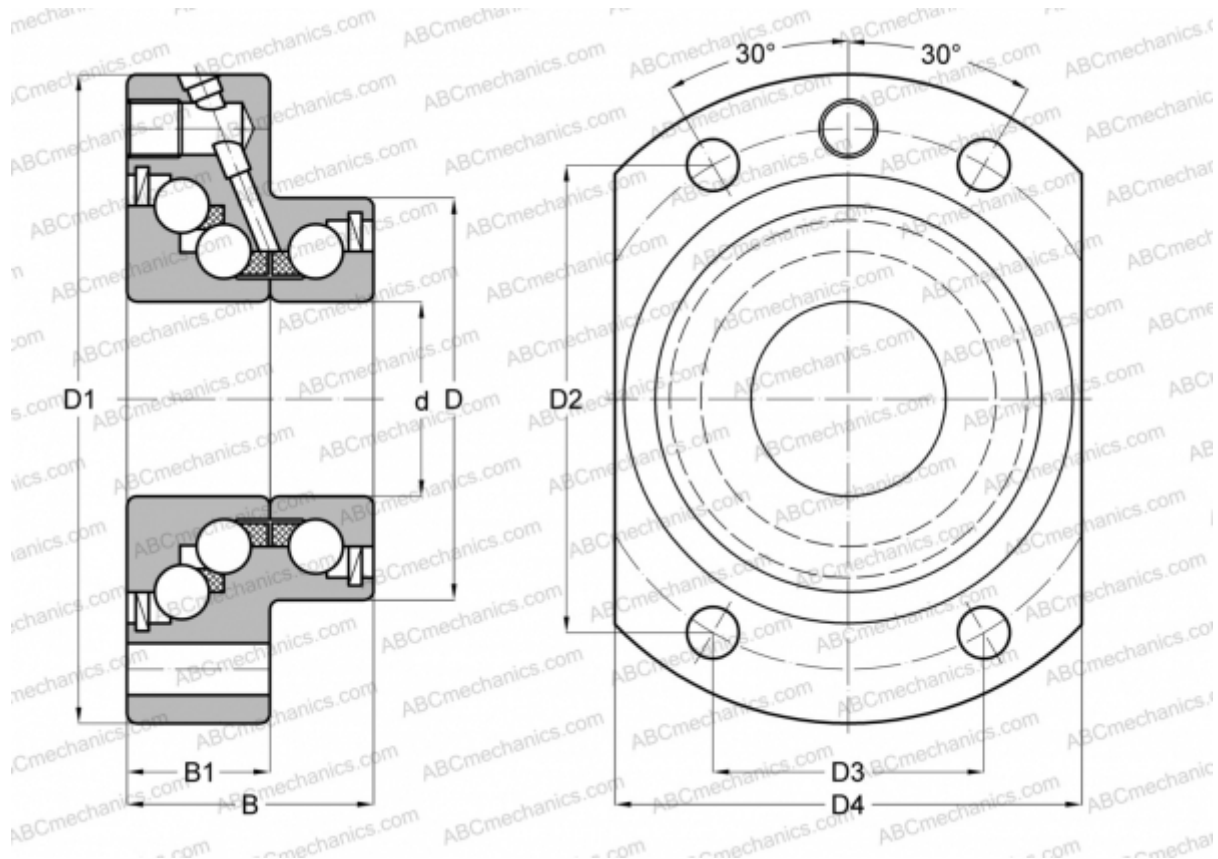


DKLFA 40140 2RS INA

Axial angular contact ball bearing

TYPE: Ball bearings, Axial angular contact ball bearing, Unit, Series DKLFA, double direction, with flange, lip seals on both side



Technical specification

DIMENSIONS, MM

d	40,000
D	90,000
D1	140,000
D4	110,000
B	60,000
B1	35,000

WEIGHT, KG 4,200

MANUFACTURER [INA](http://www.ina.com)