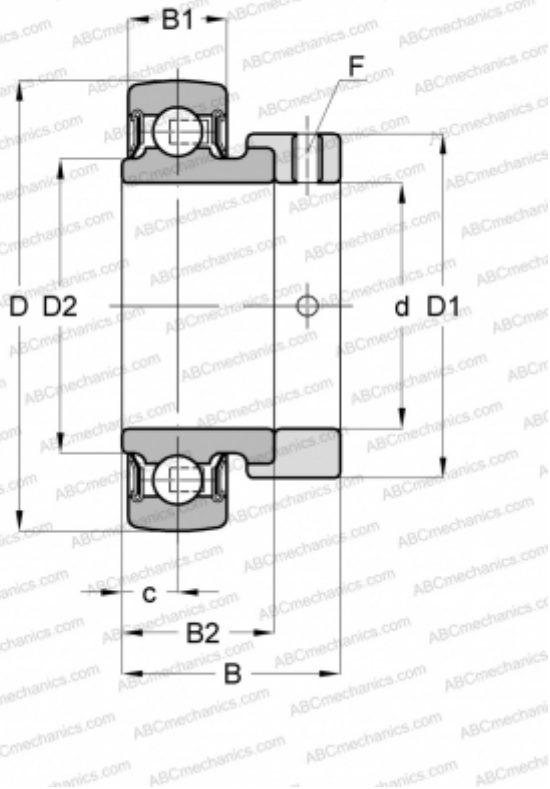


RAE20-NPP-B INA

Insert bearings

TYPE: Ball bearings, Radial insert bearings, With eccentric locking collar, Spherical outer ring, Series RAE...-NPP-B(INA), seals on both side



Technical specification

DIMENSIONS, MM

d	20,000
D	47,000
D1	33,000
D2	26,900
B	31,000
B1	14,000
B2	21,400
c	7,500
F	3

WEIGHT, KG

0,160

MANUFACTURER

[INA](#)

REPLACES

RAE20-XL-NPP-B