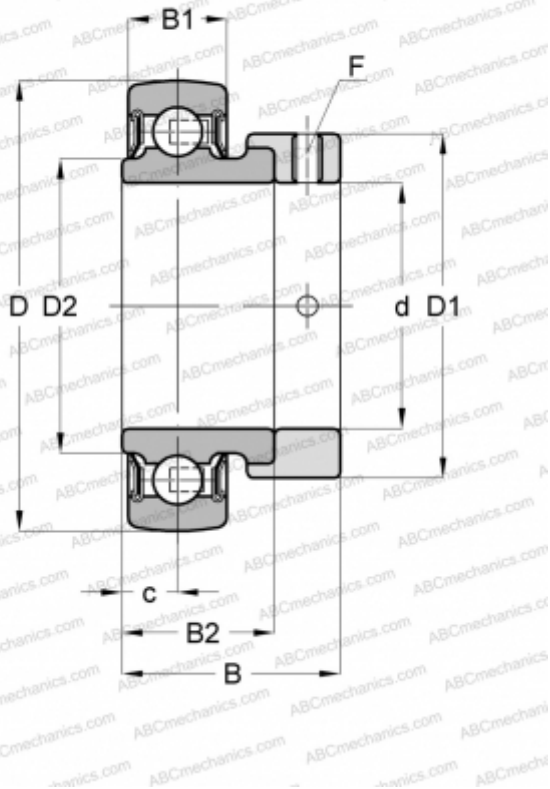


RALE20-NPP-B INA

Insert bearings

TYPE: Ball bearings, Radial insert bearings, With eccentric locking collar, Spherical outer ring, Series RALE..-NPP-B(INA), seals on both side



Technical specification

DIMENSIONS, MM

d	20,000
D	42,000
D1	30,000
D2	25,400
B	24,500
B1	12,000
B2	16,700
c	6,000
F	2.5

WEIGHT, KG

0,100

MANUFACTURER

[INA](#)

REPLACES

RALE20-XL-NPP-B