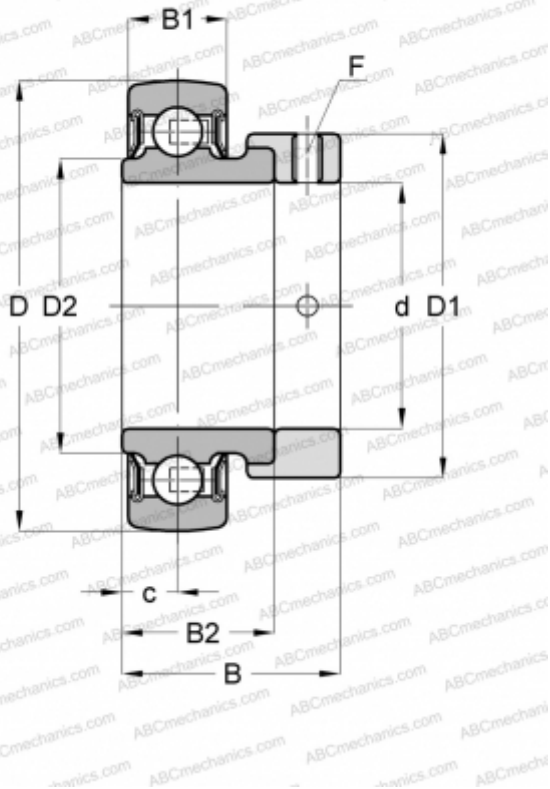


RALE25-NPP-B INA

Insert bearings

TYPE: Ball bearings, Radial insert bearings, With eccentric locking collar, Spherical outer ring, Series RALE..-NPP-B(INA), seals on both side



Technical specification

DIMENSIONS, MM

| | |
|----|--------|
| d | 25,000 |
| D | 47,000 |
| D1 | 36,000 |
| D2 | 30,000 |
| B | 25,500 |
| B1 | 12,000 |
| B2 | 17,500 |
| c | 6,000 |
| F | 2.5 |

WEIGHT, KG

0,120

MANUFACTURER

[INA](#)

REPLACES

RALE25-XL-NPP-B