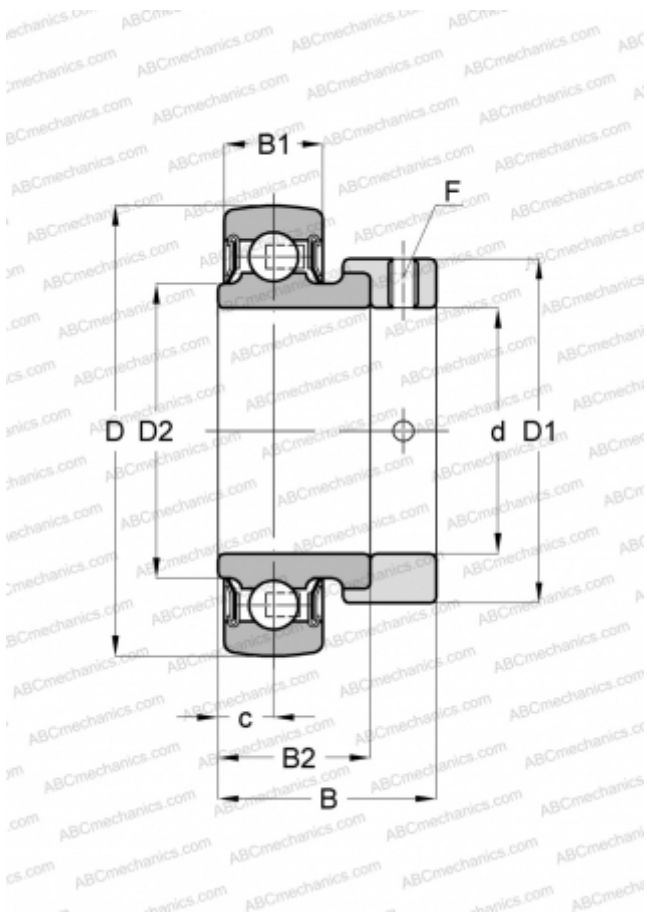


## RALE30-NPP-B INA

Insert bearings

TYPE: Ball bearings, Radial insert bearings, With eccentric locking collar, Spherical outer ring, Series RALE..-NPP-B(INA), seals on both side



### Technical specification

#### DIMENSIONS, MM

d	30,000
D	55,000
D1	42,500
D2	35,700
B	26,500
B1	13,000
B2	18,500
c	6,500
F	2.5

#### WEIGHT, KG

0,180

#### MANUFACTURER

[INA](#)

#### REPLACES

RALE30-XL-NPP-B