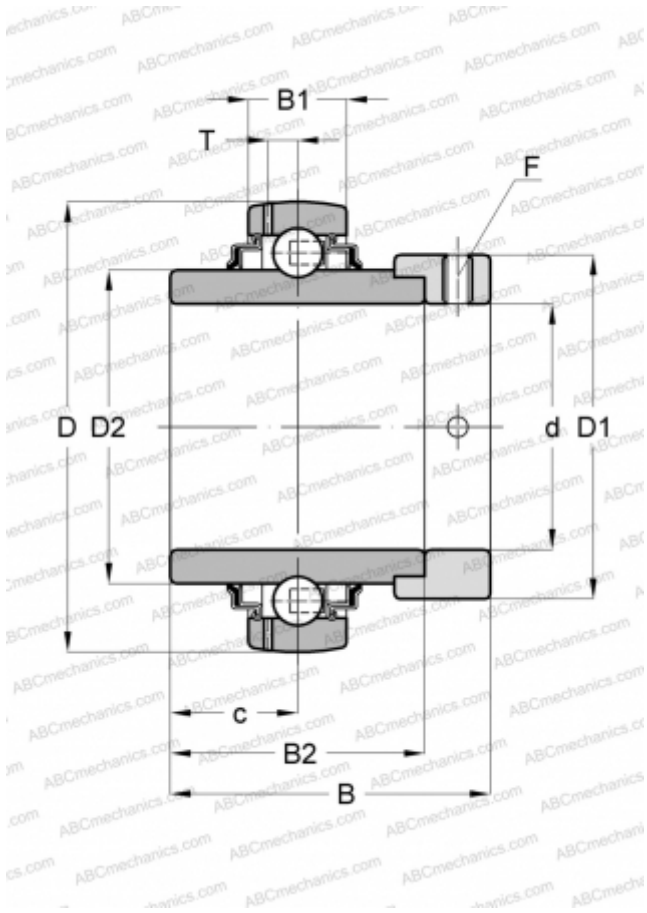


## GE20-KRR-B INA

Insert bearings

TYPE: Ball bearings, Radial insert bearings, With eccentric locking collar, Spherical outer ring, Series GE..-KRR-B(INA), seals on both side



### Technical specification

#### DIMENSIONS, MM

|    |        |
|----|--------|
| d  | 20,000 |
| D  | 47,000 |
| D1 | 33,000 |
| D2 | 27,600 |
| B  | 43,700 |
| B1 | 14,000 |
| B2 | 34,100 |
| c  | 17,100 |
| T  | 4,000  |
| F  | 3      |

#### WEIGHT, KG

0,190

#### MANUFACTURER

[INA](#)

#### REPLACES

GE20-XL-KRR-B