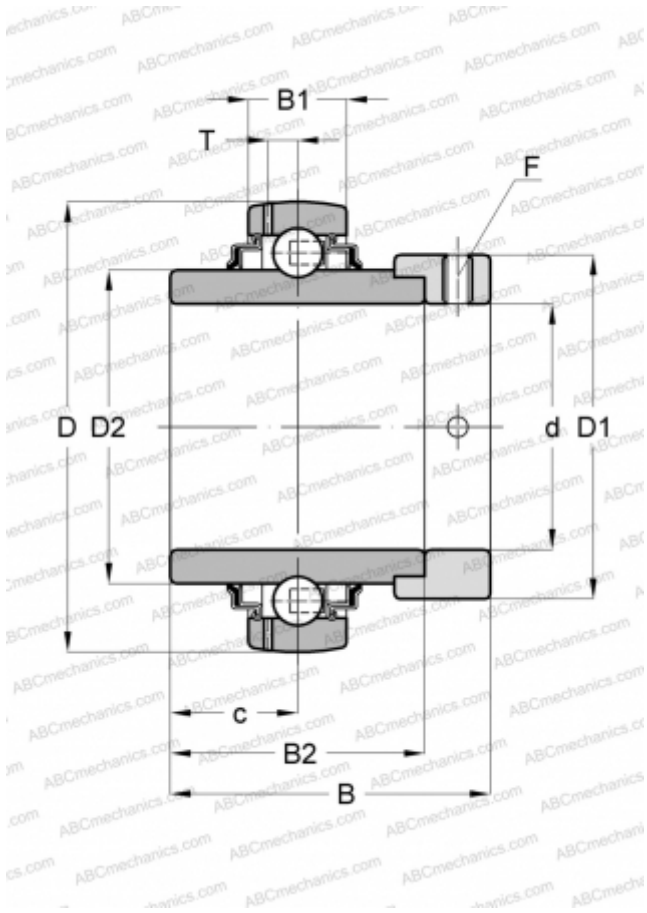


GE45-KRR-B INA

Insert bearings

TYPE: Ball bearings, Radial insert bearings, With eccentric locking collar, Spherical outer ring, Series GE..-KRR-B(INA), seals on both side



Technical specification

DIMENSIONS, MM

| | |
|----|--------|
| d | 45,000 |
| D | 85,000 |
| D1 | 63,000 |
| D2 | 57,900 |
| B | 56,500 |
| B1 | 22,000 |
| B2 | 42,900 |
| c | 21,400 |
| T | 6,400 |
| F | 5 |

WEIGHT, KG

0,830

MANUFACTURER

[INA](#)

REPLACES

GE45-XL-KRR-B