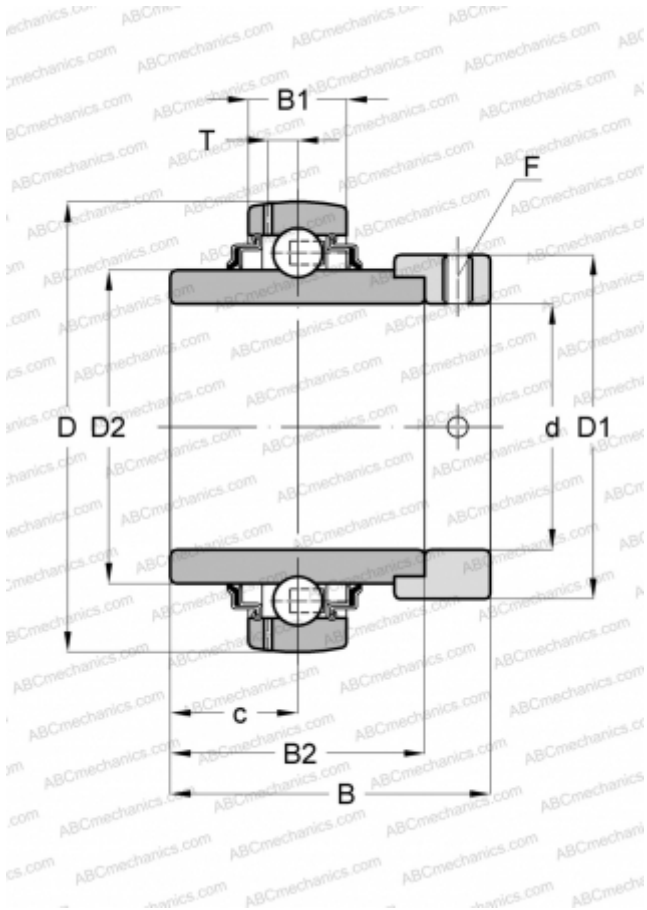


GE65-214-KRR-B INA

Insert bearings

TYPE: Ball bearings, Radial insert bearings, With eccentric locking collar, Spherical outer ring, Series GE..-KRR-B(INA), seals on both side



Technical specification

DIMENSIONS, MM

| | |
|----|---------|
| d | 65,000 |
| D | 125,000 |
| D1 | 96,000 |
| D2 | 85,200 |
| B | 66,000 |
| B1 | 28,000 |
| B2 | 48,500 |
| c | 21,500 |
| T | 8,900 |
| F | 6 |

WEIGHT, KG

2,710

MANUFACTURER

[INA](#)

REPLACES

GE65-214-XL-KRR-B