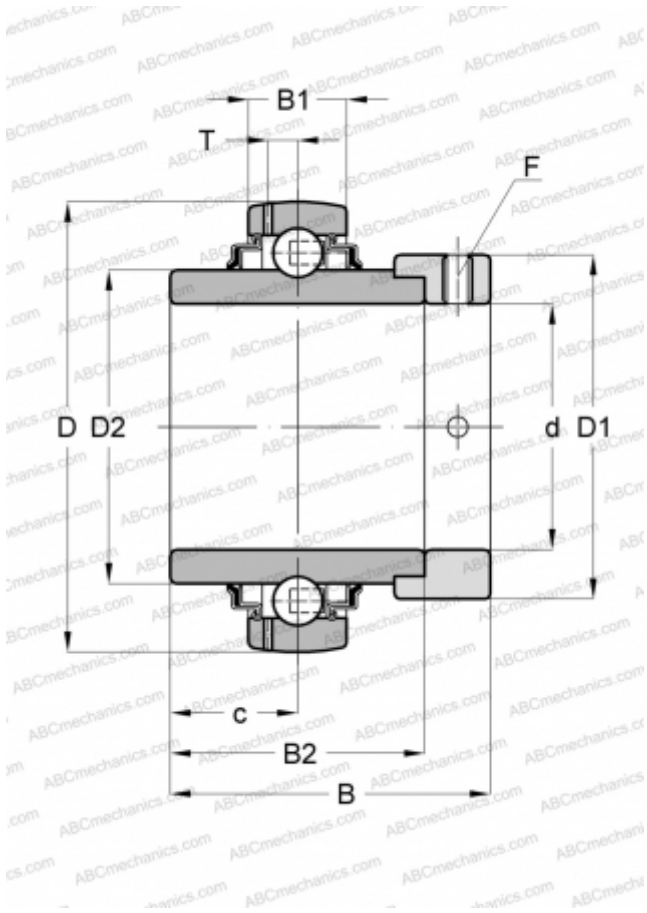


## GE75-KRR-B INA

Insert bearings

TYPE: Ball bearings, Radial insert bearings, With eccentric locking collar, Spherical outer ring, Series GE..-KRR-B(INA), seals on both side



### Technical specification

#### DIMENSIONS, MM

|    |         |
|----|---------|
| d  | 75,000  |
| D  | 130,000 |
| D1 | 100,000 |
| D2 | 90,000  |
| B  | 67,000  |
| B1 | 28,000  |
| B2 | 49,500  |
| c  | 21,500  |
| T  | 8,500   |
| F  | 6       |

#### WEIGHT, KG

2,140

#### MANUFACTURER

[INA](#)

#### REPLACES

GE75-XL-KRR-B