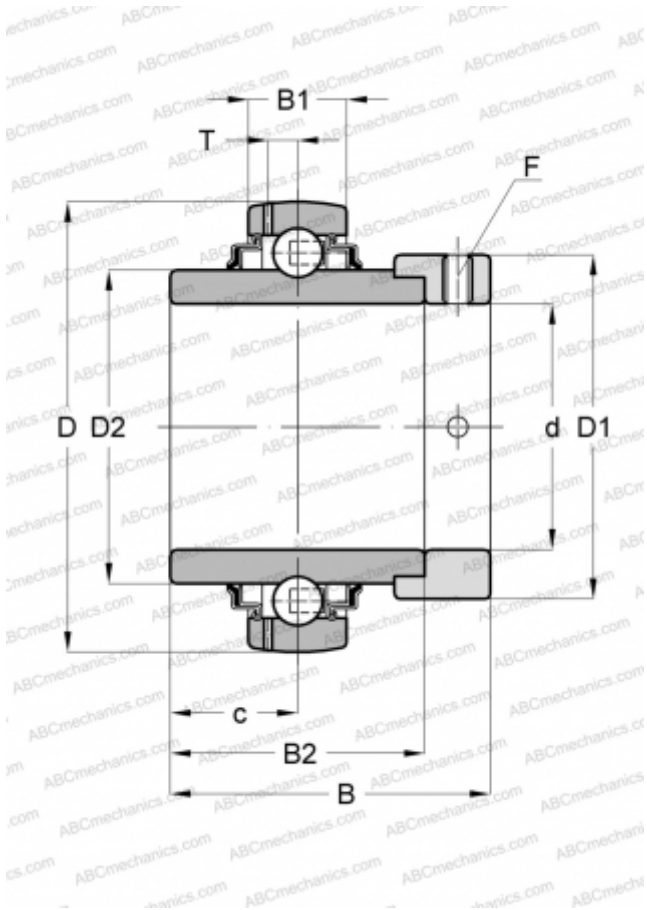


GE100-KRR-B INA

Insert bearings

TYPE: Ball bearings, Radial insert bearings, With eccentric locking collar, Spherical outer ring, Series GE..-KRR-B(INA), seals on both side



Technical specification

DIMENSIONS, MM

d	100,000
D	180,000
D1	132,000
D2	122,200
B	75,000
B1	36,000
B2	57,500
c	25,500
T	11,200
F	6

WEIGHT, KG

5,000

MANUFACTURER

[INA](#)

REPLACES

GE100-XL-KRR-B