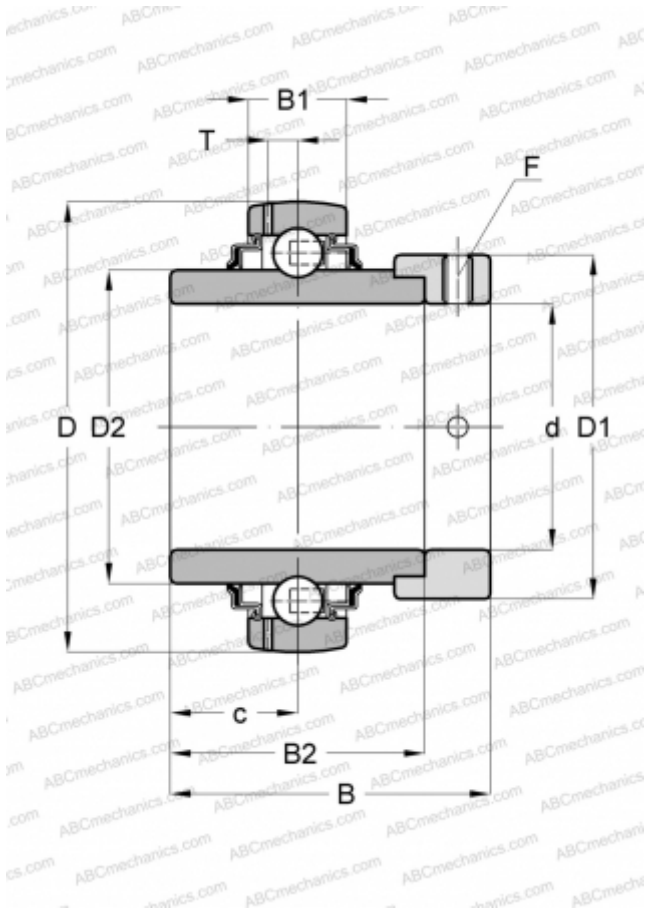


## GE120-KRR-B INA

Insert bearings

TYPE: Ball bearings, Radial insert bearings, With eccentric locking collar, Spherical outer ring, Series GE..-KRR-B(INA), seals on both side



### Technical specification

#### DIMENSIONS, MM

d	120,000
D	215,000
D1	152,000
D2	146,400
B	81,000
B1	40,000
B2	63,500
c	28,500
T	12,800
F	6

#### WEIGHT, KG

7,490

#### MANUFACTURER

[INA](#)

#### REPLACES

GE120-XL-KRR-B