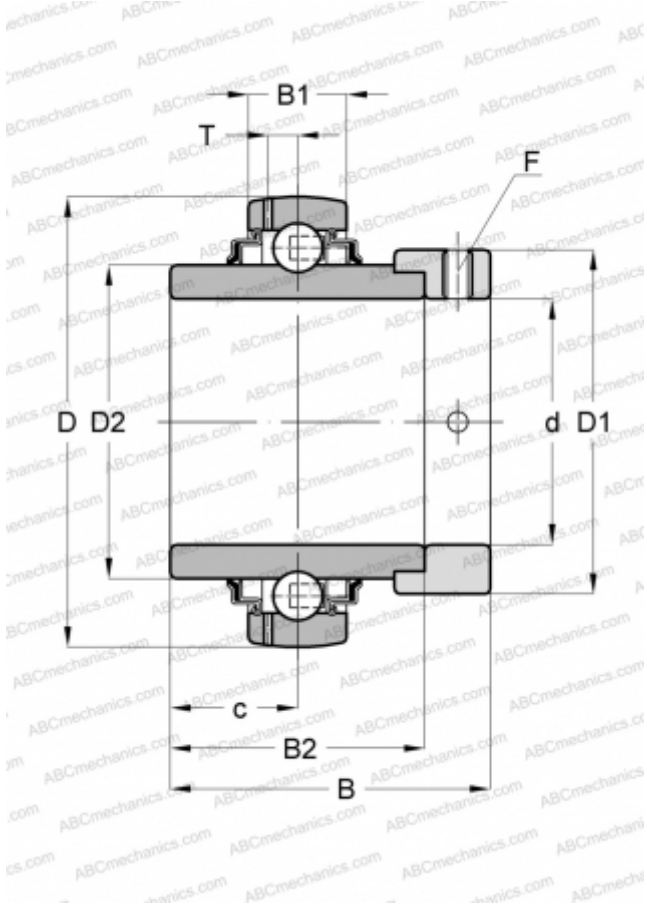


GE80-KRR-B-AH01-FA164 INA

Insert bearings

TYPE: Ball bearings, Radial insert bearings, With eccentric locking collar, Spherical outer ring, Series GE..-KRR-B(INA), seals on both side, for high temperature (to +250)



Technical specification

DIMENSIONS, MM

d	80,000
D	140,000
D1	108,000
D2	97,000
B	70,700
B1	30,000
B2	53,200
c	23,400
T	8,800
F	6

WEIGHT, KG

2,950

MANUFACTURER

[INA](#)

REPLACES

GE80-XL-KRR-B-AH01-FA164