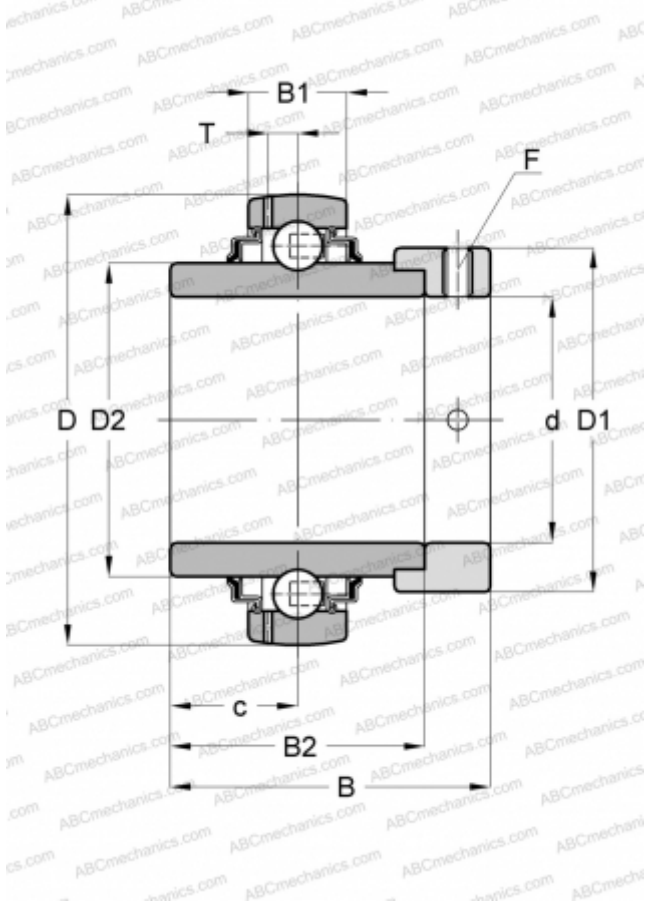


## GE90-KRR-B-FA164 INA

Insert bearings

TYPE: Ball bearings, Radial insert bearings, With eccentric locking collar, Spherical outer ring, Series GE..-KRR-B(INA), seals on both side, for high temperature (to +250)



### Technical specification

#### DIMENSIONS, MM

d	90,000
D	160,000
D1	118,000
D2	109,400
B	69,500
B1	32,000
B2	52,000
c	23,000
T	10,000
F	6

#### WEIGHT, KG

3,680

#### MANUFACTURER

[INA](#)

#### REPLACES

GE90-XL-KRR-B-FA164