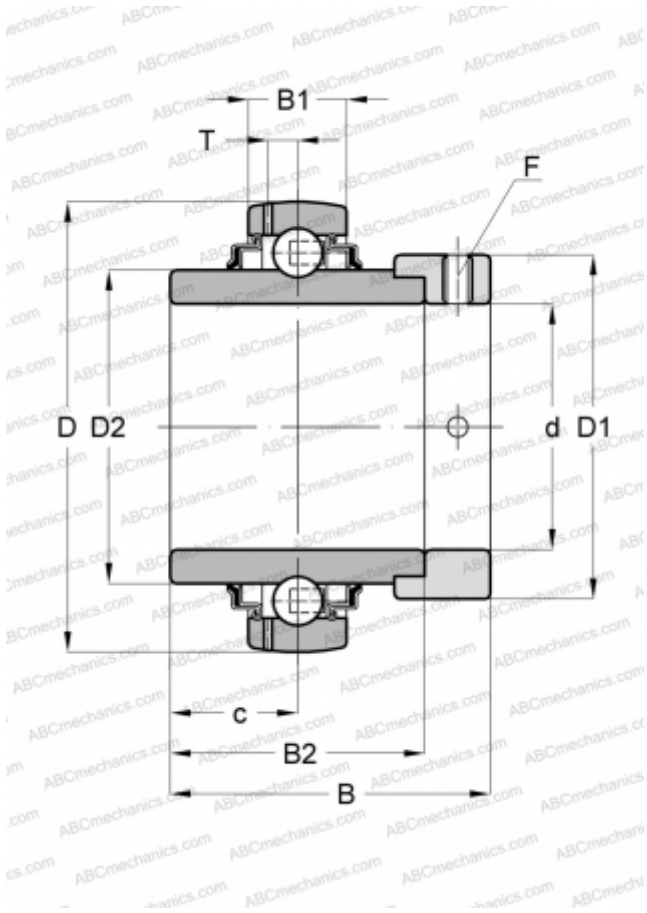


## GNE40-KRR-B INA

Insert bearings

TYPE: Ball bearings, Radial insert bearings, With eccentric locking collar, Spherical outer ring, Series GNE..-KRR-B(INA), seals on both side



### Technical specification

#### DIMENSIONS, MM

d	40,000
D	90,000
D1	63,000
D2	53,800
B	54,600
B1	23,000
B2	41,000
c	18,000
T	7,500
F	5

#### WEIGHT, KG

1,020

#### MANUFACTURER

[INA](#)

#### REPLACES

GNE40-XL-KRR-B