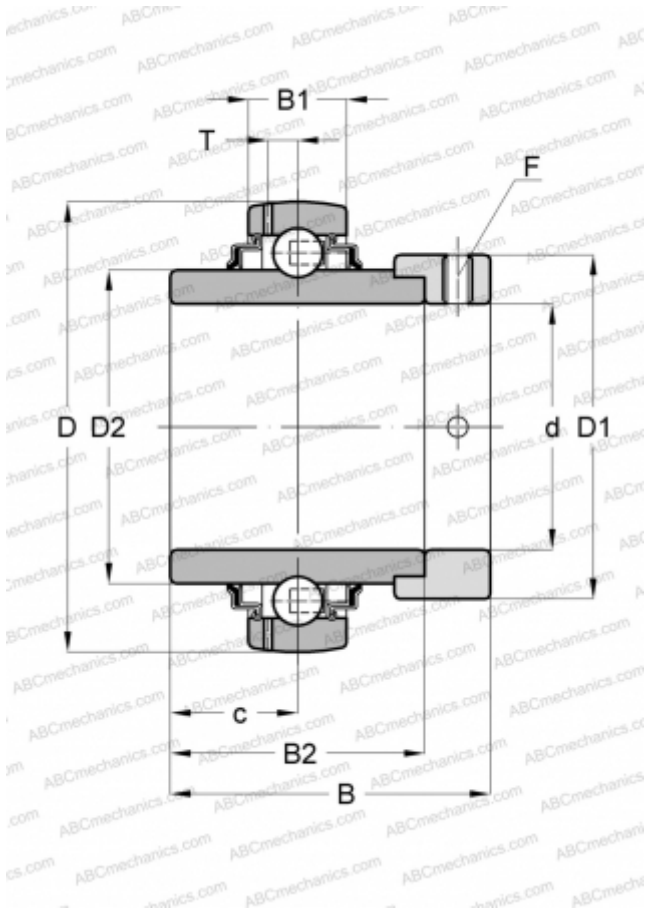


GNE90-KRR-B INA

Insert bearings

TYPE: Ball bearings, Radial insert bearings, With eccentric locking collar, Spherical outer ring, Series GNE..-KRR-B(INA), seals on both side



Technical specification

DIMENSIONS, MM

d	90,000
D	190,000
D1	132,000
D2	122,200
B	101,000
B1	45,000
B2	77,500
c	35,500
T	14,300
F	6

WEIGHT, KG

8,070

MANUFACTURER

[INA](#)

REPLACES

GNE90-XL-KRR-B