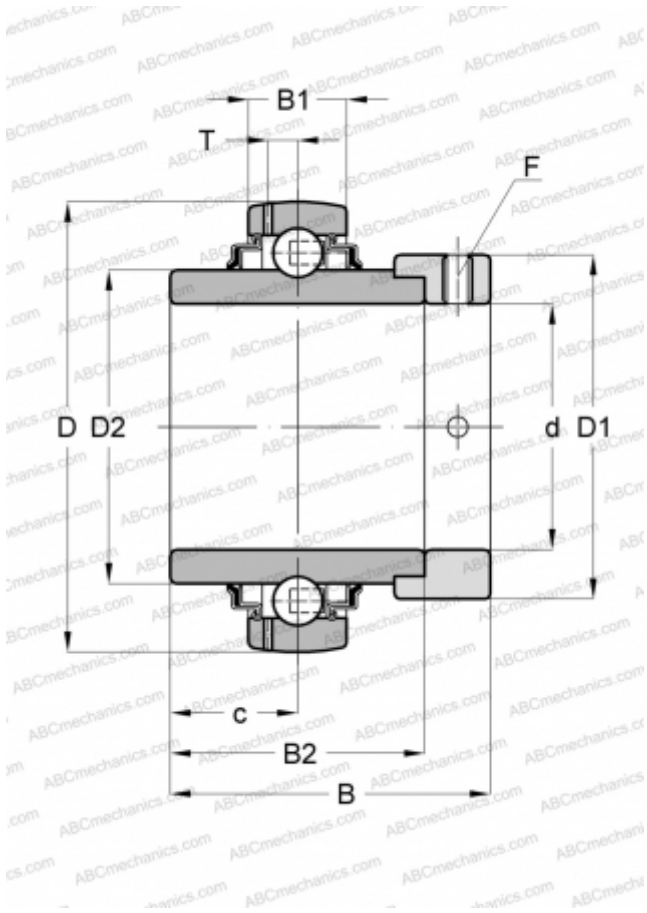


GNE100-KRR-B INA

Insert bearings

TYPE: Ball bearings, Radial insert bearings, With eccentric locking collar, Spherical outer ring, Series GNE..-KRR-B(INA), seals on both side



Technical specification

DIMENSIONS, MM

| | |
|----|---------|
| d | 100,000 |
| D | 215,000 |
| D1 | 145,000 |
| D2 | 137,100 |
| B | 109,400 |
| B1 | 49,000 |
| B2 | 86,000 |
| c | 39,500 |
| T | 16,700 |
| F | 6 |

WEIGHT, KG

11,410

MANUFACTURER

[INA](#)

REPLACES

GNE100-XL-KRR-B