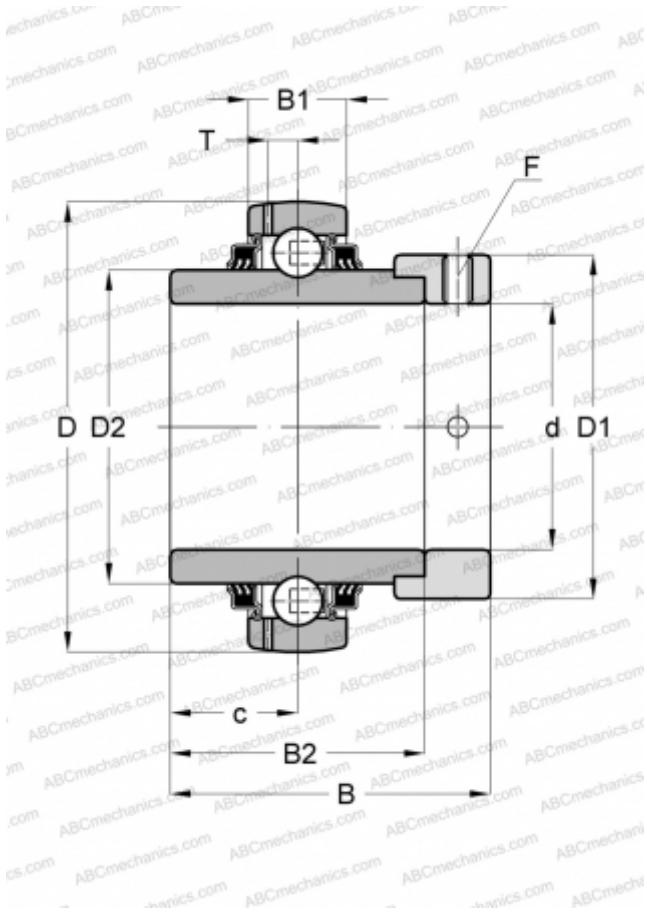


## GE75-KTT-B INA

Insert bearings

TYPE: Ball bearings, Radial insert bearings, With eccentric locking collar, Spherical outer ring, Series GE..-KTT-B(INA), seals on both side



### Technical specification

#### DIMENSIONS, MM

d	75,000
D	130,000
D1	100,000
D2	90,000
B	67,000
B1	28,000
B2	49,500
c	21,500
T	8,500
F	6

#### WEIGHT, KG

2,140

#### MANUFACTURER

[INA](#)

#### REPLACES

GE75-XL-KTT-B