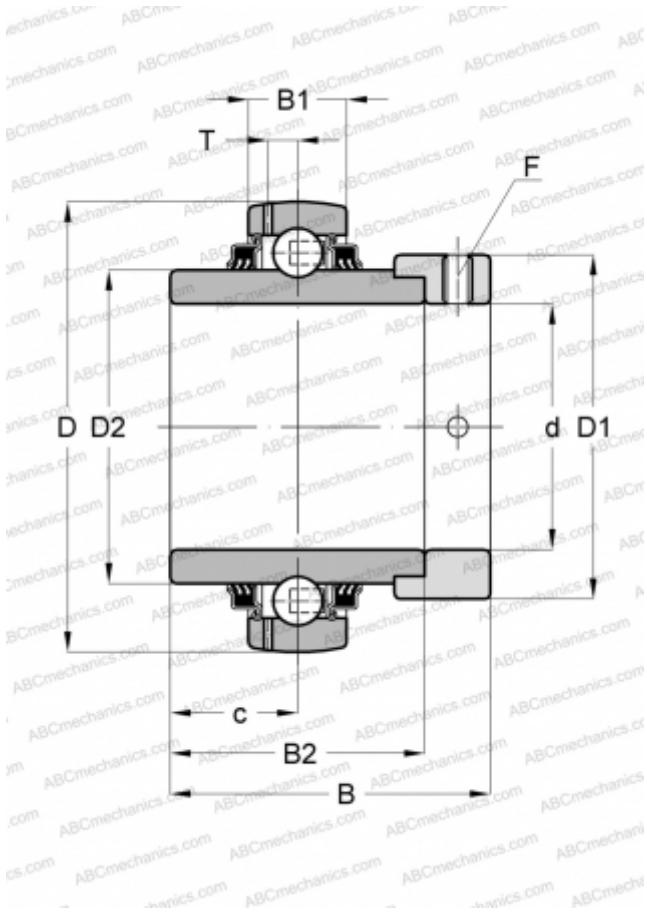


GE80-KTT-B INA

Insert bearings

TYPE: Ball bearings, Radial insert bearings, With eccentric locking collar, Spherical outer ring, Series GE..-KTT-B(INA), seals on both side



Technical specification

DIMENSIONS, MM

d	80,000
D	140,000
D1	108,000
D2	97,000
B	70,700
B1	30,000
B2	53,200
c	23,400
T	8,800
F	6

WEIGHT, KG

2,790

MANUFACTURER

[INA](#)

REPLACES

GE80-XL-KTT-B