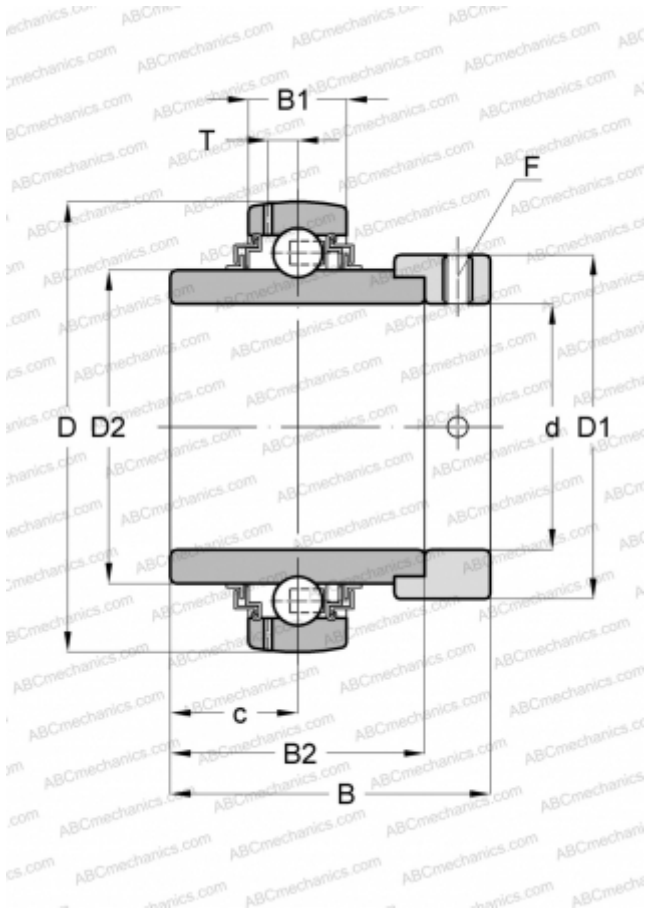


GE20-KLL-B INA

Insert bearings

TYPE: Ball bearings, Radial insert bearings, With eccentric locking collar, Spherical outer ring, Series GE..-KLL-B(INA), seals on both side



Technical specification

DIMENSIONS, MM

| | |
|----|--------|
| d | 20,000 |
| D | 47,000 |
| D1 | 33,000 |
| D2 | 27,600 |
| B | 43,700 |
| B1 | 14,000 |
| B2 | 34,100 |
| c | 17,100 |
| T | 4,000 |
| F | 3 |

WEIGHT, KG

0,200

MANUFACTURER

[INA](#)

REPLACES

GE20-XL-KLL-B