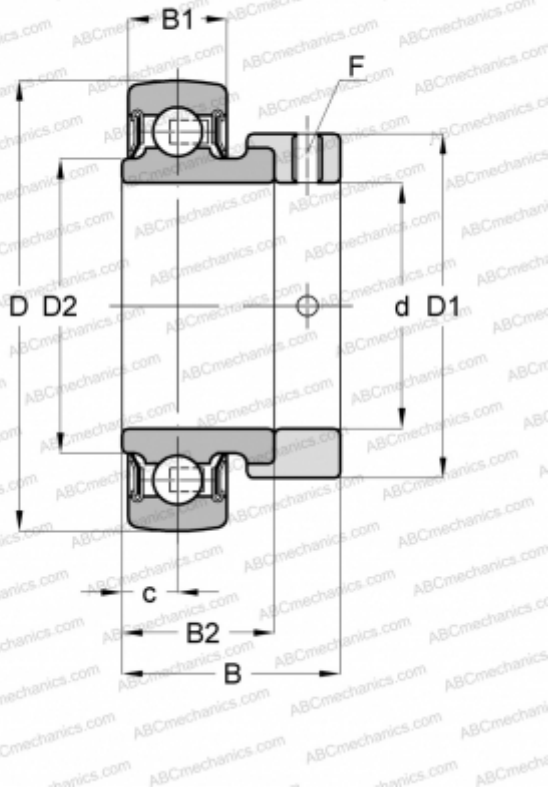


## RA100-NPP-B INA

Insert bearings

TYPE: Ball bearings, Radial insert bearings, With eccentric locking collar, Spherical outer ring, Series RA..-NPP-B(INA), seals on both side, inch size



### Technical specification

#### DIMENSIONS, MM

d	25,400
D	52,000
D1	37,500
D2	30,500
B	31,000
B1	15,000
B2	21,400
c	7,500
F	3.175

#### WEIGHT, KG

0,190

#### MANUFACTURER

[INA](#)