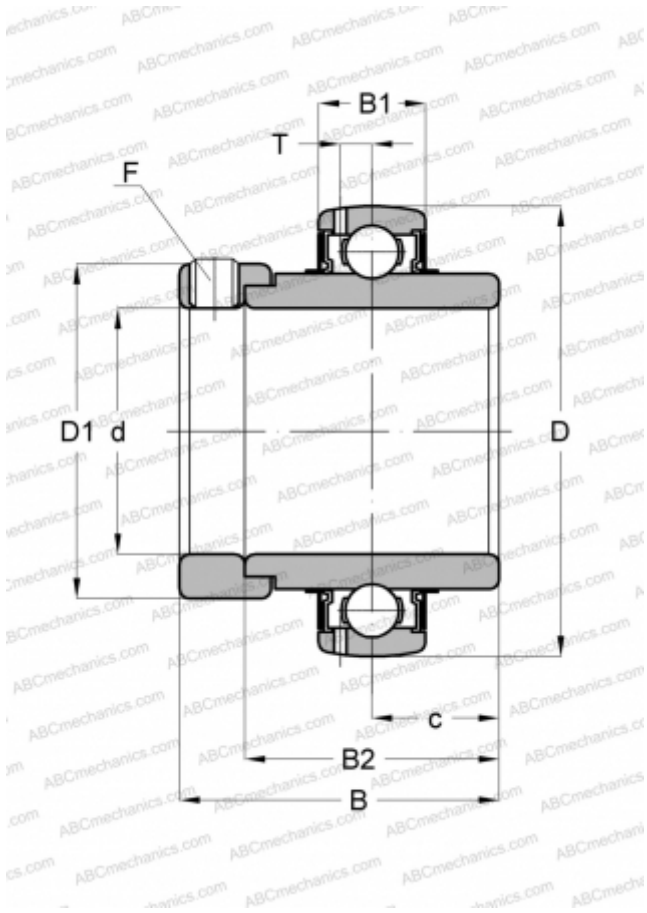


UG 207+ER ASAHI

Insert bearings

TYPE: Ball bearings, Radial insert bearings, With eccentric locking collar, Spherical outer ring, Series UG, seals on both side



Technical specification

DIMENSIONS, MM

| | |
|----|------------|
| d | 35,000 |
| D | 72,000 |
| D1 | 55,600 |
| B | 51,100 |
| B1 | 20,000 |
| B2 | 37,600 |
| c | 18,800 |
| T | 5,800 |
| F | M10 x 1.25 |

WEIGHT, KG

0,600

MANUFACTURER

[ASAHI](#)