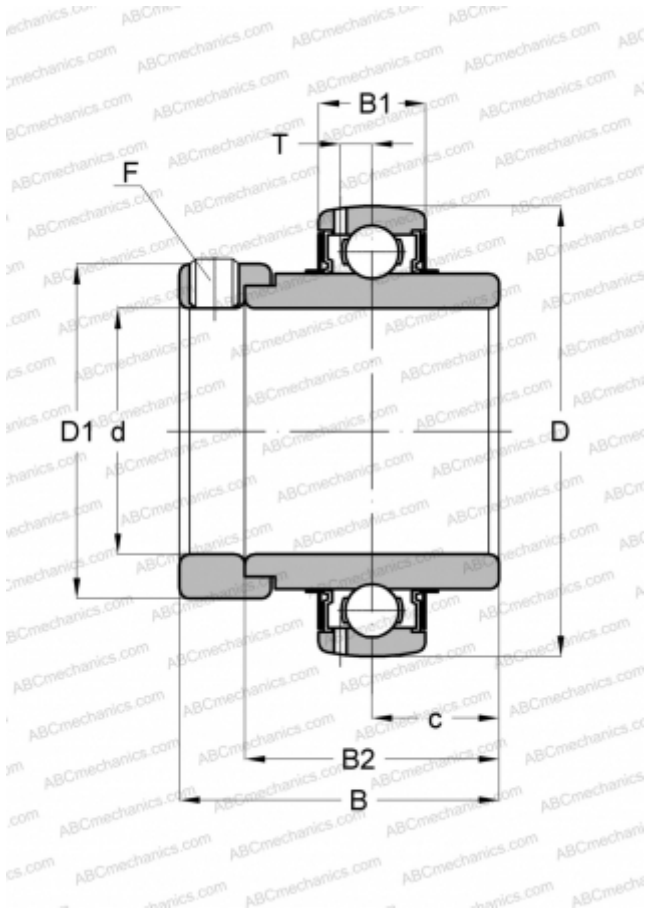


UG 207-22+ER ASAHI

Insert bearings

TYPE: Ball bearings, Radial insert bearings, With eccentric locking collar, Spherical outer ring, Series UG, seals on both side, inch size



Technical specification

DIMENSIONS, MM

d	34,920
D	72,004
D1	55,560
B	51,196
B1	19,990
B2	37,700
c	18,847
T	5,791
F	3/8-24

WEIGHT, KG

0,594

MANUFACTURER

[ASAHI](#)