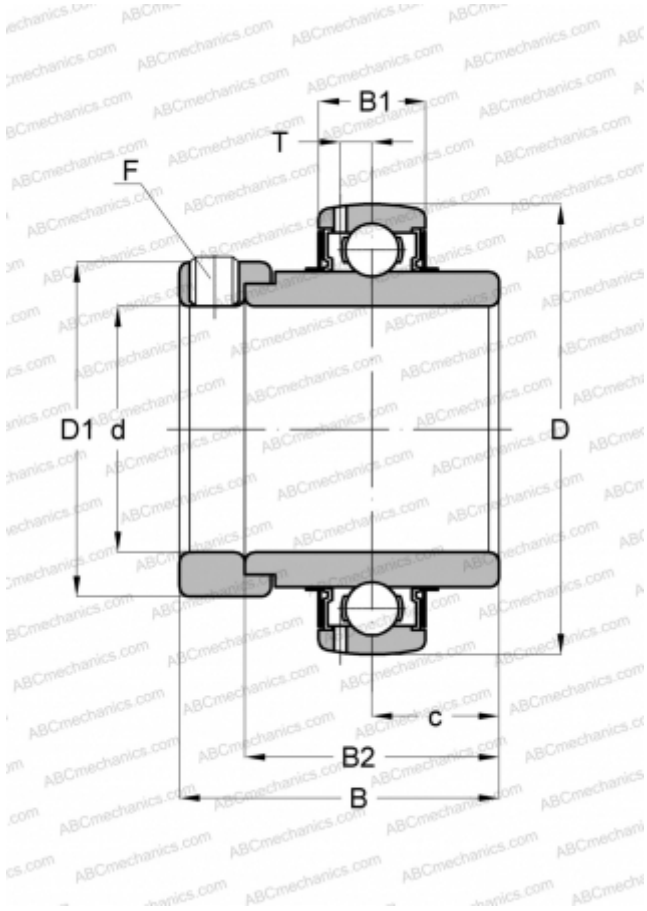


## UG 207-23+ER ASAHI

Insert bearings

TYPE: Ball bearings, Radial insert bearings, With eccentric locking collar, Spherical outer ring, Series UG, seals on both side, inch size



### Technical specification

#### DIMENSIONS, MM

d	36,510
D	72,007
D1	55,560
B	51,196
B1	19,990
B2	37,700
c	18,847
T	5,791
F	3/8-24

#### WEIGHT, KG

0,594

#### MANUFACTURER

[ASAHI](#)