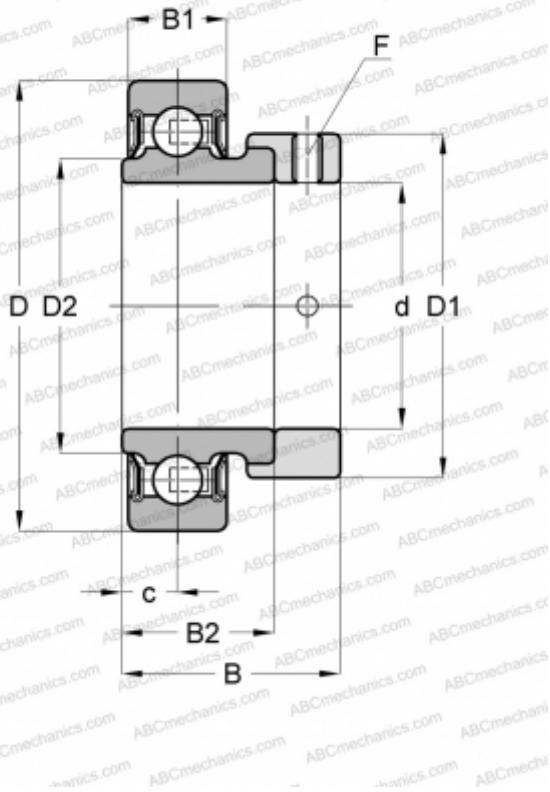


RAE12-NPP INA

Insert bearings

TYPE: Ball bearings, Radial insert bearings, With eccentric locking collar, Cylindrical outer ring, Series RAE...-NPP(INA), seals on both side



Technical specification

DIMENSIONS, MM

d	12,000
D	40,000
D1	28,000
D2	23,000
B	28,600
B1	12,000
B2	19,000
c	6,500
F	3

WEIGHT, KG

0,130

MANUFACTURER

[INA](#)

REPLACES

RAE12-XL-NPP