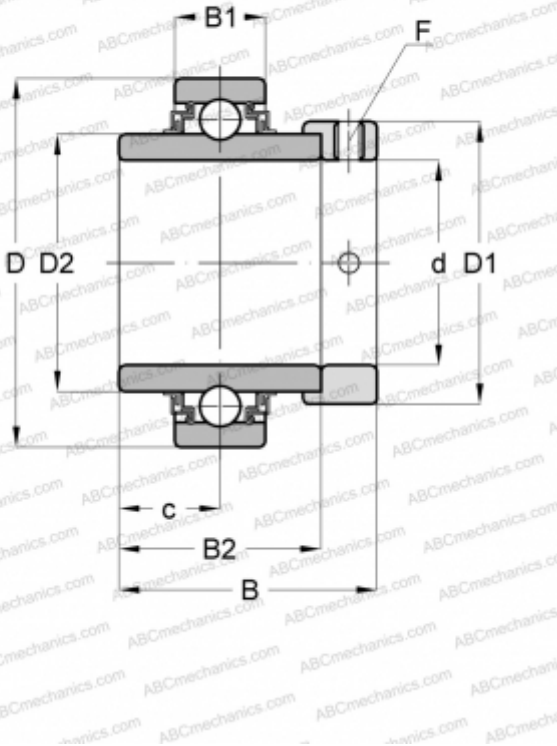


E20-KLL INA

Insert bearings

TYPE: Ball bearings, Radial insert bearings, With eccentric locking collar, Cylindrical outer ring, Series E..-KLL(INA), seals on both side



Technical specification

DIMENSIONS, MM

d	20,000
D	47,000
D1	33,000
D2	27,600
B	43,700
B1	14,000
B2	34,100
c	17,100
F	3

WEIGHT, KG

0,200

MANUFACTURER

[INA](#)

REPLACES

E20-XL-KLL